

CHAPTER 25

SELECT COLOR REPLACEMENT PARTS TABLE OF CONTENTS

	PAGE
History	25.2
Clad Color & Available Products, Touch Up Paint	25.3
Casemaster / Awning / French Casemaster	25.4
Ultimate Replacement Casement / Awning	25.5
Bow / Bay	25.7
Ultimate Double Hung	25.9
Double Hung / Tilt Pac	25.11
Ultimate Double Hung Magnum	25.12
Magnum Double Hung	25.13
Doors	25.16
Select Color Replacement Parts, Casing, Clips, Subsills,	25.27
End Caps, Lineal Caps	25.39

ATTENTION:

- Please note that this chapter is only available online. Printed copies are unavailable at this time.
- Specification and technical data are subject to change without notice.
- Numbers listed in parentheses () are metric equivalents in millimeters rounded to the nearest whole number.

SELECT COLOR REPLACEMENT PARTS
HISTORY



PRODUCED	UNIT TYPE	FEATURES OR CHANGES	DISCONTINUED
2006	Select Color Replacement Part	11/20/2006 Select Color Replacement Parts added.	Present

CLAD COLOR & AVAILABLE PRODUCTS

In addition to five Standard colors, Marvin Windows and Doors offers clad in 14 Select colors for orders within certain product types. This section provides replacement part information for Select color clad options. Any additional questions may be directed to your Marvin representative for clarification.

Clad Colors Standard				
Stone White (SW)	Bahama Brown (BN)	Bronze (BZ)	Pebble Gray (PB)	Evergreen (EG)
Arctic White (AR)	Sierra White (SA)	Sherwood Green (SR)	Ebony (EB)	Coconut Cream (CO)
Hampton Sage (HS)	French Vanilla (FV)	Cashmere (CS)	Cascade Blue (CC)	Wineberry (WB)
Cadet Gray (CG)	Cobalt Blue (CB)	Desert Beige (DB)	Cumulus Gray (CU)	

For orders that require a color not included in our Standard or Select palettes, custom color matching is available. Please contact the Marvin Architectural department for more information, quoting, and ordering.

* Bahama Brown is not available on Magnum Tilt Turns or Magnum Double Hung Tilt Pacs.

Select colors are not available on the following product types:

Commercial Door Steel Frames
Energy Panels
Glider Products
Sliding French Door Standard Screen

Sliding Patio Door Standard Screens
Ultimate Double Hung Combinations
Ultimate Double Hung Magnum Combinations

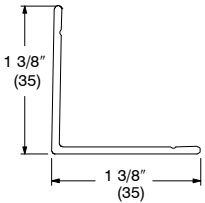
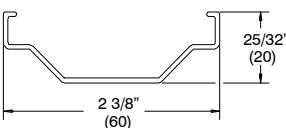
SELECT COLOR PRICING

No additional charge – same price as Standard Color products and options.

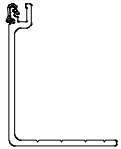

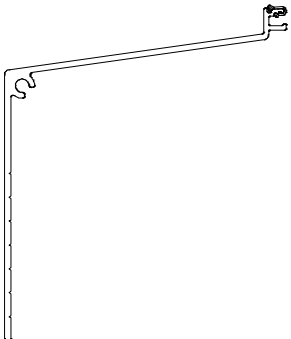
Select Colors are available on the following options – *Note exceptions listed above*

Bows & Bays
Clad Brick Mould Casing
Clad Flat Casing
Clad Flat Panel (CFPAN)
Clad Raised Panel (CRPAN)
Clad SDL 7/8" bar and 1 1/8" bar
Mull and Frame Expander
Space Mull / Stud Pocket Mull Covers (3/8", 1", 2", 3", 4", and 6")

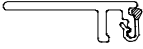

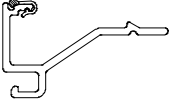
ILLUSTRATION <i>NOT TO SCALE</i>	DESCRIPTION	COLOR	PART NO.
	Clad Touch Up Paint 6 oz.	AR	01530329
		SA	01530341
		CO	01530338
		FV	01530332
		CS	01530336
		DB	01530334
		CU	01530337
		CG	01530339
		CC	01530327
		CB	01530328
		HS	01530340
		SR	01530342
		WB	01530331
		EB	01530330

ILLUSTRATION NOT TO SCALE	DESCRIPTION	OPER./COLOR	PART NO.
	<p>Corner Cover, 90 degree, A119 For clad CM / AWN sash to sash corner units. 150" (3810)</p>	AR BN PB BZ EG SW FV DB WB EB CS CU CB CO CG CC HS SA SR	18600880 18600882 18600884 18600886 18600888 18801180 18801182 18801184 18801190 18801192 19000126 19001126 19002126 19003126 19004126 19005126 19006126 19007126 19008126
	<p>Astragal Cap, A215 CFCM 183" (4648)</p>	AR BN PB BZ EG WB SW FV DB EB CS CU CB CO CG CC HS SA SR	18617099 18617199 18617299 18617399 18617499 18802008 18802004 18802006 18802010 18802000 19000210 19001210 19002210 19003210 19004210 19005210 19006210 19007210 19008210

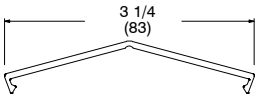
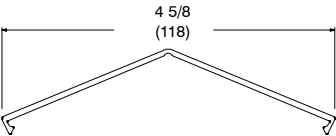
PARTS

ILLUSTRATION NOT TO SCALE	DESCRIPTION	OPER./COLOR	PART NO.
	<p>Frame Extender, A1530 For Ultimate Replacement Casement and Awning 150" (3810)</p>	AR BN PB BZ EG SW FV DB WB EB CS CU CB CO CG CC HS SA SR	18653200 18653202 18653204 18653206 18653208 18653210 18653212 18653214 18653216 18653218 18653220 18653222 18653224 18653226 18653228 18653230 18653232 18653234 18653236
	<p>Adjustable Masonry Panning, A1531 For Ultimate Replacement Casement and Awning 150" (3810)</p>	AR BN PB BZ EG SW FV DB WB EB CS CU CB CO CG CC HS SA SR	18653100 18653102 18653104 18653106 18653108 18653110 18653112 18653114 18653116 18653118 18653120 18653122 18653124 18653126 18653128 18653130 18653132 18653134 18653136
	<p>Sill Panning, A1532 For Ultimate Replacement Casement and Awning 150" (3810)</p>	AR BN PB BZ EG SW FV DB WB EB CS CU CB CO CG CC HS SA SR	18653000 18653002 18653004 18653006 18653008 18653010 18653012 18653014 18653016 18653018 18653020 18653022 18653024 18653026 18653028 18653030 18653032 18653034 18653036

PARTS

ILLUSTRATION NOT TO SCALE	DESCRIPTION	OPER./COLOR	PART NO.
	<p>3/4" Panning, A1533 For Ultimate Replacement Casement and Awning 150" (3810)</p>	AR BN PB BZ EG SW FV DB WB EB CS CU CB CO CG CC HS SA SR	18651100 18651102 18651104 18651106 18651108 18651110 18651112 18651114 18651116 18651118 18651120 18651122 18651124 18651126 18651128 18651130 18651132 18651134 18651136
	<p>Accessory Kerf Cover, A1538 For Ultimate Replacement Casement and Awning 150" (3810)</p>	AR BN PB BZ EG SW FV DB WB EB CS CU CB CO CG CC HS SA SR	18651200 18651202 18651204 18651206 18651208 18651210 18651212 18651214 18651216 18651218 18651220 18651222 18651224 18651226 18651228 18651230 18651232 18651234 18651236
	<p>Sill Riser, A1557 For Ultimate Replacement Casement and Awning 150" (3810)</p>	AR BN PB BZ EG SW FV DB WB EB CS CU CB CO CG CC HS SA SR	18654000 18654002 18654004 18654006 18654008 18654010 18654012 18654014 18654016 18654018 18654020 18654022 18654024 18654026 18654028 18654030 18654032 18654034 18654036

PARTS

ILLUSTRATION NOT TO SCALE	DESCRIPTION	OPER./COLOR	PART NO.
	<p>Clad Mull Clip, 30 Degree Bay, A122</p> <p>150" (3810)</p>	<p>AR BN PB BZ EG SW FV DB WB EB CS CU CB CO CG CC HS SA SR</p>	<p>18603005 18603015 18603025 18603026 18603027 18604105 18801022 18801024 18801030 18801032 19000130 19001130 19002130 19003130 19004130 19005130 19006130 19007130 19008130</p>
	<p>Clad Mull Clip, 45 Degree Bay, A123</p> <p>150" (3810)</p>	<p>AR BN PB BZ EG SW FV DB WB EB CS CU CB CO CG CC HS SA SR</p>	<p>18603045 18603055 18603065 18603066 18603067 18604115 18801042 18801044 18801050 18801052 19000132 19001132 19002132 19003132 19004132 19005132 19006132 19007132 19008132</p>

PARTS

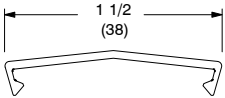
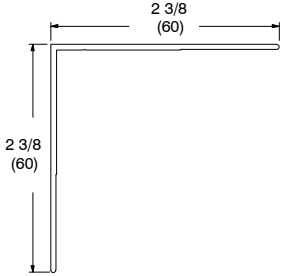
ILLUSTRATION NOT TO SCALE	DESCRIPTION	OPER./COLOR	PART NO.
	<p>Clad Mull Cap, 6 Degree Bow, A124 150" (3810)</p>	<p>AR BN PB BZ EG SW FV DB WB EB CS CU CB CO CG CC HS SA SR</p>	<p>18603085 18603095 18604005 18604015 18604025 18604125 18801062 18801064 18601070 18801072 19000134 19001134 19002134 19003134 19004134 19005134 19006134 19007134 19008134</p>
	<p>Corner Cover/Cap, A127 90 Degree Bays 150" (3810)</p>	<p>AR BN PB BZ EG SW FV DB WB EB CS CU CB CO CG CC HS SA SR</p>	<p>18604056 18604057 18604058 18604059 18604060 18604061 18801202 18801204 18801210 18801212 19000136 19001136 19002136 19003136 19004136 19005136 19006136 19007136 19008136</p>

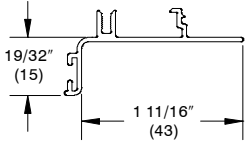
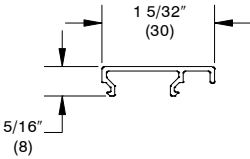
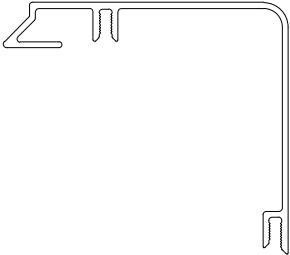
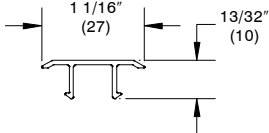
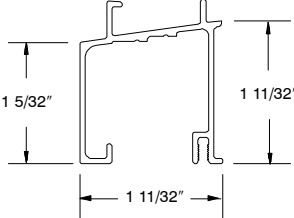
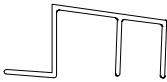
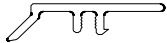
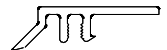
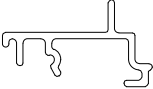
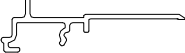
ILLUSTRATION NOT TO SCALE	DESCRIPTION	OPER./COLOR	PART NO.
	<p>Jamb Filler, A199 CUDHP</p> <p style="text-align: right;">150" (3810)</p>	AR BN PB BZ EG WB SW FV DB EB CS CU CB CO CG CC HS SA SR	18561099 18561199 18561299 18561399 18561499 18801770 18801760 18801762 18801764 18801772 19000312 19001312 19002312 19003312 19004312 19005312 19006312 19007312 19008312
	<p>Jamb Filler, A197 CUDH</p> <p style="text-align: right;">150" (3810)</p>	AR BN PB BZ EG WB SW FV DB EB CS CU CB CO CG CC HS SA SR	18561599 18561699 18561799 18561899 18561999 18801790 18801780 18801782 18801784 18801792 19000310 19001310 19002310 19003310 19004310 19005310 19006310 19007310 19008310
	<p>Top Sash Check Rail Cladding, A183</p> <p style="text-align: right;">155" (3937)</p>	AR BN PB BZ EG WB SW FV DB EB CS CU CB CO CG CC HS SA SR	18562098 18562198 18562298 18562398 18562498 18801809 18801799 18801801 18801803 18801811 19000302 19001302 19002302 19003302 19004302 19005302 19006302 19007302 19008302

ILLUSTRATION NOT TO SCALE	DESCRIPTION	OPER./COLOR	PART NO.
	<p>Jamb Filler, A216 Single Hung</p> <p style="text-align: right;">150" (3810)</p>	AR BN PB BZ EG WB SW FV DB EB CS CU CB CO CG CC HS SA SR	18564599 18564699 18564799 18564899 18564999 18801966 18801954 18801956 18801962 18801958 19000314 19001314 19002314 19003314 19004314 19005314 19006314 19007314 19008314
	<p>Simulated Thick Sill, A217 CUDH</p> <p style="text-align: right;">200" (5080)</p>	AR BN PB BZ EG WB SW FV DB EB CS CU CB CO CG CC HS SA SR	18565099 18565199 18565299 18565399 18565499 18801978 18801968 18801970 18801976 18801972 19000316 19001316 19002316 19003316 19004316 19005316 19006316 19007316 19008316

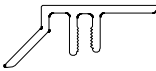
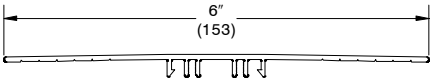
PARTS

ILLUSTRATION NOT TO SCALE	DESCRIPTION	OPER./COLOR	PART NO.
	<p>Half Screen Nosing, A432 Clad Single Hung 150" (3810)</p>	AR BN PB BZ EG SW FV DB WB EB CS CU CB CO CG CC HS SA SR	18528000 18528020 18528040 18528060 18528080 18801700 18801702 18801704 18801710 18801712 19000512 19001512 19002512 19003512 19004512 19005512 19006512 19007512 19008512
	<p>Glazing Cap, 1" IG, A188 CDH/TP 1 3/4" Picture 150" (3810)</p> <p><i>NOTE: A188 is not available in these colors: CS, CU, CB, CO, CG, CC, HS, SA, SR</i></p>	AR BN PB BZ EG SW FV DB WB EB	18606010 18606020 18606030 18606040 18606050 18800160 18800162 18800164 18800170 18800172
	<p>Glazing Cap, 9/16" IG, A174 CDH, CSH, CDHTP, CBU 150" (3810)</p>	AR BN PB BZ EG SW FV DB WB EB CS CU CB CO CG CC HS SA SR	18606599 18606699 18606799 18606899 18606999 18800140 18800142 18800144 18800150 18800152 19000500 19001500 19002500 19003500 19004500 19005500 19006500 19007500 19008500

PARTS

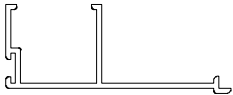
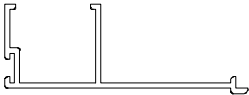
ILLUSTRATION NOT TO SCALE	DESCRIPTION	OPER./COLOR	PART NO.
	<p>Jamb Filler, A1388 CUDHM 150" (3810)</p>	AR	18626099
		BN	18626199
		PB	18626299
		BZ	18626399
		EG	18626499
		SW	18626599
		FV	18626699
		DB	18626799
		WB	18626899
		EB	18626999
		CS	19000654
		CU	19001654
		CB	19002654
		CO	19003654
		CG	19004654
		CC	19005654
		HS	19006654
SA	19007654		
SR	19008654		
	<p>Jamb Filler, Single Hung, A1413 CUSHM 150" (3810)</p>	AR	18628098
		BN	18628198
		PB	18628298
		BZ	18628398
		EG	18628498
		WB	18628598
		SW	18628698
		FV	18628798
		DB	18628898
		EB	18628998
		CS	19000656
		CU	19001656
		CB	19002656
		CO	19003656
		CG	19004656
		CC	19005656
		HS	19006656
SA	19007656		
SR	19008656		

PARTS

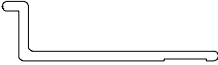
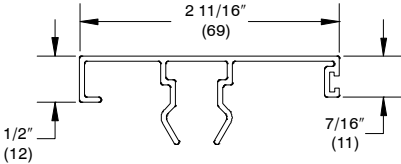
ILLUSTRATION NOT TO SCALE	DESCRIPTION	OPER./COLOR	PART NO.										
	<p>Glazing Cap, A178 CMDH</p> <p>150" (3810)</p>	<p>AR PB BZ EG SW FV DB WB EB CS CU CB CO CG CC HS SA SR</p>	<p>18607099 18607299 18607399 18607499 18800380 18800382 18800384 18800390 18800392 19000600 19001600 19002600 19003600 19004600 19005600 19006600 19007600 19008600</p>										
					<p>6" Mull Cover, A557 CMDH</p> <p>120" (3048)</p>	<p>AR PB EG SW</p>	<p>18539500 18539540 18539570 18539580</p>						
								<p>150" (3810)</p>	<p>FV DB WB EB CCC CS CU CB CO CG CC HS SA SR</p>	<p>18800722 18800724 18800730 18800732 18803460 19000646 19001646 19002646 19003646 19004646 19005646 19006646 19007646 19008646</p>			
											<p>160" (4064)</p>	<p>BZ</p>	<p>18539560</p>

PARTS

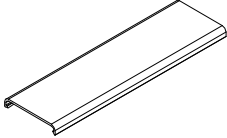
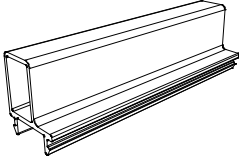
Built around you.®

ILLUSTRATION NOT TO SCALE	DESCRIPTION	OPER./COLOR	PART NO.
	Jamb Filler, 2" Picture, A508 CMDHP 168" (4267)	AR PB BZ EG SW	18534099 18534299 18534399 18534499 18806499
	150" (3810)	SW FV DB WB EB CS CU CB CO CG CC HS SA SR	18800560 18800562 18800564 18800570 18800572 19000626 19001626 19002626 19003626 19004626 19005626 19006626 19007626 19008626
	Jamb Filler, 1 3/4" Picture, A509 CMDHP 168" (4267)	AR PB BZ EG SW	18534599 18534799 18534899 18534999 18806599
	150" (3810)	SW FV DB WB EB CS CU CB CO CG CC HS SA SR	18800580 18800582 18800584 18800590 18800592 19000628 19001628 19002628 19003628 19004628 19005628 19006628 19007628 19008628

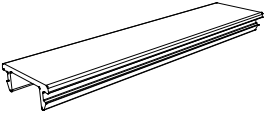
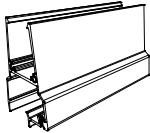
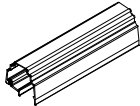
PARTS

ILLUSTRATION NOT TO SCALE	DESCRIPTION	OPER./COLOR	PART NO.
	<p>Stationary Sash Filler Cap, A510 CMSH 150" (3810)</p>	<p>AR PB BZ EG SW FV WB EB DB CS CU CB CO CG CC HS SA SR</p>	<p>18536099 18536299 18536399 18536499 18801984 18801986 18801988 18801990 18801994 19000630 19001630 19002630 19003630 19004630 19005630 19006630 19007630 19008630</p>
	<p>Cover, Hardware Track, A558 CMDH 168" (4267)</p>	<p>AR PB BZ EG SW FV DB WB EB CS CU CB CO CG CC HS SA SR</p>	<p>18539600 18539640 18539660 18539670 18800740 18800742 18800744 18800750 18800752 19000648 19001648 19002648 19003648 19004648 19005648 19006648 19007648 19008648</p>

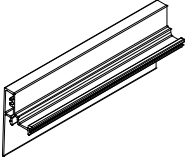
PARTS

ILLUSTRATION NOT TO SCALE	DESCRIPTION	OPER./COLOR	PART NO.
	<p>Edge Cover Meeting Stile Clad, A778 CSFD, CSPD 162" (4115)</p>	BN	18419699
		PB	18419799
		BZ	18419899
		EG	18419999
		SW	18419998
		AR	18419599
		FV	18764199
		WB	18764599
		DB	18764299
		EB	18764699
		CS	19000860
		CU	19001860
		CB	19002860
		CO	19003860
		CG	19004860
		CC	19005860
		HS	19006860
SA	19007860		
SR	19008860		
	<p>Mull Cover with Screen Stop, A776 CUIFD 165" (4191)</p>	BN	18446001
		PB	18446002
		BZ	18446003
		EG	18446004
		SW	18757099
		AR	18446000
		FV	18757199
		WB	18757599
		DB	18757299
		EB	18757699
		CS	19000856
		CU	19001856
		CB	19002856
		CO	19003856
		CG	19004856
		CC	19005856
		HS	19006856
SA	19007856		
SR	19008856		

PARTS

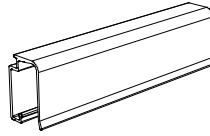
ILLUSTRATION NOT TO SCALE	DESCRIPTION	OPER./COLOR	PART NO.
	<p>Mull Casing Cover, A775 CUIFD 165" (4191)</p>	BN PB BZ EG SW AR FV WB DB EB CS CU CB CO CG CC HS SA SR	18445001 18445002 18445003 18445004 18756099 18445000 18756199 18756599 18756299 18756699 19000854 19001854 19002854 19003854 19004854 19005854 19006854 19007854 19008854
	<p>Mull Casing Clad, A773 CUIFD 165" (4191)</p>	BN PB BZ EG SW AR FV WB DB EB CS CU CB CO CG CC HS SA SR	18443001 18443002 18443003 18443004 18754099 18443000 18754199 18754599 18754299 18754699 19000852 19001852 19002852 19003852 19004852 19005852 19006852 19007852 19008852
	<p>Astragal Cladding, A772 CUIFD, CFDT, CUSFD, CMIFD, CMIAFD 160" (4064)</p>	BN PB BZ EG SW AR FV WB DB EB CS CU CB CO CG CC HS SA SR	18369006 18369007 18369008 19369009 18369010 18369005 18753199 18753599 18753299 18753699 19000850 19001850 19002850 19003850 19004850 19005850 19006850 19007850 19008850

PARTS

ILLUSTRATION NOT TO SCALE	DESCRIPTION	OPER./COLOR	PART NO.
	<p>Mull Cap, Swinging Screen, A340 CUIFD 166" (4216)</p>	BN	18373302
		PB	18373303
		BZ	18373304
		EG	18373305
		SW	18373308
		AR	18373301
		FV	18373309
		WB	18373310
		DB	18373307
		EB	18373314
		CS	19000822
		CU	19001822
		CB	19002822
		CO	19003822
		CG	19004822
		CC	19005822
		HS	19006822
SA	19007822		
SR	19008822		

A777 SCREEN TRACK

Replacement part numbers for Inswing French Door and Sliding French Door sliding screen tracks (A777). Use the chart below to verify the size needed. After the size is determined, reference the color chart on the next page for the correct part number.



	Inswing Call No	Sliding Call No	Finish Overall
2W	Retro 5-0	Retro 5-0	56 7/32" (1428)
2W	Retro 6-0	Retro 6-0	68 7/32" (1733)
2W	***	Retro 8-0	92 7/32" (2342)
3W	Retro 9-0	***	67 25/32" (1722)
2W	5066	5066	57 19/32" (1463)
2W	6066	6066	69 19/32" (1768)
2W	8066	8066	93 19/32" (2377)
2W	4-0	***	47 7/32" (1199)
2W	5-0	5-0	59 7/32" (1504)
2W	5-4	***	63 7/32" (1606)
2W	6-0	6-0	71 7/32" (1809)
2W	7-0	***	83 7/32" (2114)
2W	***	8-0	95 7/32" (2419)
3W	9066	9066	69 5/32" (1757)
3W	6-0	***	46 25/32" (1188)
3W	7-6	***	58 25/32" (1493)
3W	8-0	***	62 25/32" (1595)
3W	9-0	***	70 25/32" (1798)
3W	10-6	***	82 25/32" (2103)
4W	8-0	***	46 25/32" (1188)
4W	10-0	***	58 25/32" (1493)
4W	10-8	***	62 25/32" (1595)
4W	12-0	***	70 25/32" (1798)
4W	14-0	***	82 25/32" (2103)

A777 SCREEN TRACK

Replacement part numbers for Inswing French Door and Sliding French Door sliding screen tracks (A777). Use the chart on the previous page to verify the size needed. After the size is determined, reference the color chart below for the correct part number.

If ordering for a 3-wide door, a screen track filler is also required. See next page for part numbers.

	46 25/32"	47 7/32"	56 7/32"	57 19/32"	58 25/32"	59 7/32"	62 25/32"	63 7/32"	67 25/32"
AR	11363465	11363440	11363550	11362600	11363476	11363450	11363480	11363454	11363590
BN	11363665	11363640	11363750	11362601	11363676	11363650	11363680	11363654	11363790
PB	11363865	11363840	11363950	11362602	11363876	11363850	11363880	11363854	11363990
BZ	11364065	11364040	11364150	11362603	11364076	11364050	11364080	11364054	11364190
EG	11364965	11364940	11365050	11362604	11364976	11364950	11364980	11364954	11365090
SW	11374160	11374040	11374250	11362605	11374176	11374050	11374180	11374054	11374290
CS	11125254	11125255	11125256	11362606	11125257	11125258	11125259	11125260	11125261
CU	11125583	11125584	11125585	11362607	11125586	11125587	11125588	11125589	11125590
CB	11125912	11125913	11125914	11362608	11125915	11125916	11125917	11125918	11125919
CO	11126241	11126242	11126243	11362609	11126244	11126245	11126246	11126247	11126248
CG	11126571	11126572	11126573	11362610	11126574	11126575	11126576	11126577	11126578
CC	11126900	11126901	11126902	11362611	11126903	11126904	11126905	11126906	11126907
HS	11127229	11127230	11127231	11362612	11127232	11127233	11127234	11127235	11127236
SA	11127558	11127559	11127560	11362613	11127561	11127562	11127563	11127564	11127565
SR	11127887	11127888	11127889	11362614	11127890	11127891	11127892	11127893	11127894
DB	11394060	11394040	11394250	11362615	11394176	11394050	11394180	11394054	11394290
FV	11374460	11374340	11374550	11362616	11374476	11374350	11374480	11374354	11374590
WB	11374760	11374640	11374850	11362617	11374776	11374650	11374780	11374654	11374890
EB	11384160	11384040	11384250	11362618	11384176	11384050	11384180	11384054	11384290

	68 7/32"	69 5/32"	69 19/32"	70 25/32"	71 7/32"	82 25/32"	83 7/32"	92 7/32"	93 19/32"	95 7/32"
AR	11363560	11362900	11362700	11363490	11363460	11363494	11363470	11361580	11362800	11361480
BN	11363760	11362901	11362701	11363690	11363660	11363694	11363670	11361780	11362801	11361680
PB	11363960	11362902	11362702	11363890	11363860	11363894	11363870	11361980	11362802	11361880
BZ	11364160	11362903	11362703	11364090	11364060	11364094	11364070	11362180	13362803	11362080
EG	11365060	11362904	11362704	11364990	11364960	11364994	11364970	11362580	11362804	11362480
SW	11374260	11362905	11362705	11374190	11374060	11374192	11374070	11374280	11362805	11374080
CS	11125262	11362906	11362706	11125263	11125264	11125265	11125266	11125267	11362806	11125268
CU	11125591	11362907	11362707	11125592	11125593	11125594	11125595	11125596	11362807	11125597
CB	11125920	11362908	11362708	11125921	11125922	11125923	11125924	11125925	11362808	11125926
CO	11126249	11362909	11362709	11126250	11126251	11126252	11126253	11126254	11362809	11126255
CG	11126579	11362910	11362710	11126580	11126581	11126582	11126583	11126584	11362810	11126585
CC	11126908	11362911	11362711	11126909	11126910	11126911	11126912	11126913	11362811	11126914
HS	11127237	11362912	11362712	11127238	11127239	11127240	11127241	11127242	11362812	11127243
SA	11127566	11362913	11362713	11127567	11127568	11127569	11127570	11127571	11362813	11127572
SR	11127895	11362914	11362714	11127896	11127897	11127898	11127899	11127900	11362814	11127901
DB	11394260	11362915	11362715	11394190	11394060	11394192	11394070	11394280	11362815	11394080
FV	11374560	11362916	11362716	11374490	11374360	11374492	11374370	11374580	11362816	11374380
WB	11374860	11362917	11362717	11374790	11374660	11374792	11374670	11374880	11362817	11374680
EB	11384260	11362918	11362718	11384190	11384060	11384192	11384070	11384280	11362818	11384080

A777 SCREEN TRACK FILLER

If ordering a screen track for a 3-wide door, a screen track filler is also required. See below for part numbers.

	Sliding French Door			Inswing French Door
	9066	9/0	12/0	9/0
	34 13/16"	39 5/16"	51 5/16"	36 5/8"
AR	11124900	11374086	11374091	11374081
BN	11124901	11374087	11374092	11374082
PB	11124902	11374088	11374093	11374083
BZ	11124903	11374089	11374094	11374084
EG	11124904	11374090	11374095	11374085
SW	11124905	11374099	11374102	11374096
CS	11124906	11125004	11125005	11125003
CU	11124907	11125333	11125334	11125332
CB	11124908	11125662	11125663	11125661
CO	11124909	11125991	11125992	11125990
CG	11124910	11126321	11126322	11126320
CC	11124911	11126650	11126651	11126649
HS	11124912	11126979	11126980	11126978
SA	11124913	11127308	11127309	11127307
SR	11124914	11127637	11127638	11127636
DB	11124915	11374108	11374110	11374106
FV	11124916	11374101	11374104	11374098
WB	11124917	11374100	11374103	11374097
EB	11124918	11374107	11374109	11374105

SLIDING SCREEN ROLLER BAR

Replacement part numbers for Inswing French Door and Sliding French Door Ultimate Top Hung Sliding Screen Roller Bar.

	4060/4080	5066	5068/5080	5468/5480	6066	6068/6080	6668/6680	7068/7080
	23 13/16"	29"	29 13/16"	31 13/16"	35"	35 13/16"	38"	41 13/16"
AR	11370140	11369400	11370150	11370154	11369500	11370160	11370166	11370170
BN	11370340	11369041	11370350	11370354	11369501	11370360	11370366	11370370
PB	11370540	11369402	11370550	11370554	11369502	11370560	11370566	11370570
BZ	11370740	11369403	11370750	11370754	11369503	11370760	11370766	11370770
EG	11369940	11369404	11369950	11369954	11369504	11369960	11369966	11369970
SW	11375840	11369405	11375850	11375854	11369505	11375860	11375866	11375870
CS	11125067	11369406	11125069	11125070	11369506	11125072	11371400	11125073
CU	11125396	11369407	11125398	11125399	11369507	11125401	11371401	11125402
CB	11125725	11369408	11125727	11125728	11369508	11125730	11371402	11125731
CO	11126054	11369409	11126056	11126057	11369509	11126059	11371403	11126060
CG	11126384	11369410	11126386	11126387	11369510	11126389	11371404	11126390
CC	11126713	11369411	11126715	11126716	11369511	11126718	11371405	11126719
HS	11127042	11369412	11127044	11127045	11369512	11127047	11371406	11127048
SA	11127371	11369413	11127373	11127374	11369513	11127376	11371407	11127377
SR	11127700	11369414	11127702	11127703	11369514	11127705	11371408	11127706
DB	11395840	11369415	11395850	11395854	11369515	11395860	11371411	11395870
FV	11376040	11369416	11376050	11376054	11369516	11376060	11371412	11376070
WB	11376240	11376417	11376250	11376254	11369517	11376260	11371409	11376270
EB	11385840	11369418	11385850	11385854	11369518	11385860	11371410	11385870

	8066	8068/8080	5065	6065	8065
	47"	47 13/16"	28 5/16"	34 5/16"	46 5/16"
AR	11369600	11370180	11370050	11370060	11370080
BN	11369601	11370380	11370250	11370260	11370280
PB	11369602	11370580	11370450	11370460	11370480
BZ	11369603	11370780	11370650	11370660	11370680
EG	11369604	11369980	11369850	11369860	11369880
SW	11369605	11375880	11375950	11375960	11375980
CS	11369606	11125075	11125068	11125071	11125074
CU	11369607	11125404	11125397	11125400	11125403
CB	11369608	11125733	11125726	11125729	11125732
CO	11369609	11126062	11126055	11126058	11126061
CG	11369610	11126392	11126385	11126388	11126391
CC	11369611	11126721	11126714	11126717	11126720
HS	11369612	11127050	11127043	11127046	11127049
SA	11369613	11127379	11127372	11127375	11127378
SR	11369614	11127708	11127701	11127704	11127707
DB	11369615	11395880	11395950	11395960	11395980
FV	11369616	11376080	11376150	11376160	11376180
WB	11369617	11376280	11376350	11376360	11376380
EB	11369618	11385880	11385950	11385960	11385980

SWINGING SCREEN Z BAR KITS

Replacement part numbers for Inswing French Door and Sliding French Door swinging screen Z bar kits

	2665	3065	5065	6065	2068	2668	2868	3068	3668
AR	14372000	14372001	14372002	14372003	14372005	14372006	14372007	14372008	14372009
BN	14372050	14372051	14372052	14372053	14372055	14372056	14372057	14372058	14372059
PB	14372100	14372101	14372102	14372103	14372105	14372106	14372107	14372108	14372109
BZ	14372150	14372151	14372152	14372153	14372155	14372156	14372157	14372158	14372159
EG	14372200	14372201	14372202	14372203	14372205	14372206	14372207	14372208	14372209
SW	14372350	14372351	14372352	14372353	14372355	14372356	14372357	14372358	14372359
CS	11125274	11125289	11125305	11125317	11125270	11125275	11125282	11125290	11125297
CU	11125603	11125618	11125634	11125646	11125599	11125604	11125611	11125619	11125626
CB	11125932	11125947	11125963	11125975	11125928	11125933	11125940	11125948	11125955
CO	11126261	11126276	11126292	11126304	11126257	11126262	11126269	11126277	11126284
CG	11126591	11126606	11126622	11126634	11126587	11126592	11126599	11126607	11126614
CC	11126920	11126935	11126951	11126963	11126916	11126921	11126928	11126936	11126943
HS	11127249	11127264	11127280	11127292	11127245	11127250	11127257	11127265	11127272
SA	11127578	11127593	11127609	11127621	11127574	11127579	11127586	11127594	11127601
SR	11127907	11127922	11127938	11127950	11127903	11127908	11127915	11127923	11127930
DB	14372489	14372490	14372491	14372492	14372493	14372494	14372495	14372496	14372497
FV	14372300	14372301	14372302	14372303	14372305	14372306	14372307	14372308	14372309
WB	14372400	14372401	14372402	14372403	14372405	14372406	14372407	14372408	14372409
EB	14372445	14372446	14372447	14372448	14372449	14372450	14372451	14372452	14372453

	4068	5068	5468	6068	7068	2070	2670	2870
AR	14372010	14372011	14372012	14372013	14372014	14372015	14372016	14372017
BN	14372060	14372061	14372062	14372063	14372064	14372065	14372066	14372067
PB	14372110	14372111	14372112	14372113	14372114	14372115	14372116	14372117
BZ	14372160	14372161	14372162	14372163	14372164	14372165	14372166	14372167
EG	14372210	14372211	14372212	14372213	14372214	14372215	14372216	14372217
SW	14372360	14372361	14372362	14372363	14372364	14372365	14372366	14372367
CS	11125301	11125306	11125313	11125318	11125325	11125271	11125277	11125284
CU	11125630	11125635	11125642	11125647	11125654	11125600	11125606	11125613
CB	11125959	11125964	11125971	11125976	11125983	11125929	11125935	11125942
CO	11126288	11126293	11126300	11126305	11126312	11126258	11126264	11126271
CG	11126618	11126623	11126630	11126635	11126642	11126588	11126594	11126601
CC	11126947	11126952	11126959	11126964	11126971	11126917	11126923	11126930
HS	11127276	11127281	11127288	11127293	11127300	11127246	11127252	11127259
SA	11127605	11127610	11127617	11127622	11127629	11127575	11127581	11127588
SR	11127934	11127939	11127946	11127951	11127958	11127904	11127910	11127917
DB	14372498	14372499	14372829	14372830	14372831	14372832	14372833	14372834
FV	14372310	14372311	14372312	14372313	14372314	14372315	14372316	14372317
WB	14372410	14372411	14372412	14372413	14372414	14372415	14372416	14372417
EB	14372454	14372455	14372456	14372457	14372458	14372459	14372460	14372461

SWINGING SCREEN Z BAR KITS

Replacement part numbers for Inswing French Door and Sliding French Door swinging screen Z bar kits

	3070	3670	4070	5070	5470	6070	7070	2080	2680
AR	14372018	14372019	14372020	14372021	14372022	14372023	14372024	14372035	14372036
BN	14372068	14372069	14372070	14372071	14372072	14372073	14372074	14372085	14372086
PB	14372118	14372119	14372120	14372121	14372122	14372123	14372124	14372135	14372136
BZ	14372168	14372169	14372170	14372171	14372172	14372173	14372174	14372185	14372186
EG	14372218	14372219	14372220	14372221	14372222	14372223	14372224	14372235	14372236
SW	14372368	14372369	14372370	14372371	14372372	14372373	14372374	14372385	14372386
CS	11125292	11125298	11125302	11125308	11125314	11125320	11125326	11125272	11125279
CU	11125621	11125627	11125631	11125637	11125643	11125649	11125655	11125601	11125608
CB	11125950	11125956	11125960	11125966	11125972	11125978	11125984	11125930	11125937
CO	11126279	11126285	11126289	11126295	11126301	11126307	11126313	11126259	11126266
CG	11126609	11126615	11126619	11126625	11126631	11126637	11126643	11126589	11126596
CC	11126938	11126944	11126948	11126954	11126960	11126966	11126972	11126918	11126925
HS	11127267	11127273	11127277	11127283	11127289	11127295	11127301	11127247	11127254
SA	11127596	11127602	11127606	11127612	11127618	11127624	11127630	11127576	11127583
SR	11127925	11127931	11127935	11127941	11127947	11127953	11127959	11127905	11127912
DB	14372835	14372836	14372837	14372838	14372839	14372840	14372841	14372852	14372853
FV	14372318	14372319	14372320	14372321	14372322	14372323	14372324	14372335	14372336
WB	14372418	14372419	14372420	14372421	14372422	14372423	14372424	14372435	14372436
EB	14372462	14372463	14372464	14372465	14372466	14372467	14372468	14372479	14372480

	2880	3080	3680	4080	5080	5480	6080	7080
AR	14372037	14372038	14372039	14372040	14372041	14372042	14372043	14372044
BN	14372087	14372088	14372089	14372090	14372091	14372092	14372093	14372094
PB	14372137	14372138	14372139	14372140	14372141	14372142	14372143	14372144
BZ	14372187	14372188	14372189	14372190	14372191	14372192	14372193	14372194
EG	14372237	14372238	14372239	14372240	14372241	14372242	14372243	14372244
SW	14372387	14372388	14372389	14372390	14372391	14372392	14372393	14372394
CS	11125286	11125294	11125299	11125303	11125310	11125315	11125322	11125327
CU	11125615	11125623	11125628	11125632	11125639	11125644	11125651	11125656
CB	11125944	11125952	11125957	11125961	11125968	11125973	11125980	11125985
CO	11126273	11126281	11126286	11126290	11126297	11126302	11126309	11126314
CG	11126603	11126611	11126616	11126620	11126627	11126632	11126639	11126644
CC	11126932	11126940	11126945	11126949	11126956	11126961	11126968	11126973
HS	11127261	11127269	11127274	11127278	11127285	11127290	11127297	11127302
SA	11127590	11127598	11127603	11127607	11127614	11127619	11127626	11127631
SR	11127919	11127927	11127932	11127936	11127943	11127948	11127955	11127960
DB	14372854	14372855	14372856	14372857	14372858	14372859	14372860	14372861
FV	14372337	14372338	14372339	14372340	14372341	14372342	14372343	14372344
WB	14372437	14372438	14372439	14372440	14372441	14372442	14372443	14372444
EB	14372481	14372482	14372483	14372484	14372485	14372486	14372487	14372488

SWINGING SCREEN Z BAR KITS – PRE 2002

Replacement part numbers for Inswing French Door and Sliding French Door swinging screen Z bar kits

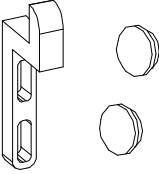
	2080	2680	2870	2880	3080	3680	4080	5080
AR	14372025	14372026	14378241	14372027	14372028	14372029	14372030	14372031
BN	14372075	14372076	14371836	14372077	14372078	14372079	14372080	14372081
PB	14372125	14372126	14371821	14372127	14372128	14372129	14372130	14372131
BZ	14372175	14372176	14371851	14372177	14372178	14372179	14372180	14372181
EG	14372225	14372226	14371866	14372227	14372228	14372229	14372230	14372231
SW	14372375	14372376	14371806	14372377	14372378	14372379	14372380	14372381
CS	11125273	11125280	11125285	11125287	11125295	11125300	11125304	11125311
CU	11125602	11125609	11125614	11125616	11125624	11125629	11125633	11125640
CB	11125931	11125938	11125943	11125945	11125953	11125958	11125962	11125969
CO	11126260	11126267	11126272	11126274	11126282	11126287	11126291	11126298
CG	11126590	11126597	11126602	11126604	11126612	11126617	11126621	11126628
CC	11126919	11126926	11126931	11126933	11126941	11126946	11126950	11126957
HS	11127248	11127255	11127260	11127262	11127270	11127275	11127279	11127286
SA	11127577	11127584	11127589	11127591	11127599	11127604	11127608	11127615
SR	11127906	11127913	11127918	11127920	11127928	11127933	11127937	11127944
DB	14372842	14372843	14378226	14372844	14372845	14372846	14372847	14372848
FV	14372325	14372326	14378181	14372327	14372328	14372329	14372330	14372331
WB	14372425	14372426	14378196	14372427	14372428	14372429	14372430	14372431
EB	14372469	14372470	14378211	14372471	14372472	14372473	14372474	14372475

	5480	6080	7080
AR	14372032	14372033	14372034
BN	14372082	14372083	14372084
PB	14372132	14372133	14372134
BZ	14372182	14372183	14372184
EG	14372232	14372233	14372234
SW	14372382	14372383	14372384
CS	11125316	11125323	11125328
CU	11125645	11125652	11125657
CB	11125974	11125981	11125986
CO	11126303	11126310	11126315
CG	11126633	11126640	11126645
CC	11126962	11126969	11126974
HS	11127291	11127298	11127303
SA	11127620	11127627	11127632
SR	11127949	11127956	11127961
DB	14372849	14372850	14372851
FV	14372332	14372333	14372334
WB	14372432	14372433	14372434
EB	14372476	14372477	14372478

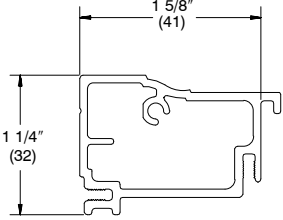
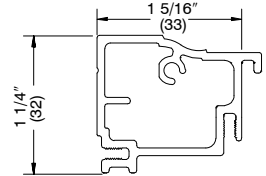
SELECT COLOR REPLACEMENT PARTS

When ordering replacement parts specify:

1. part number;
2. quantity.

ILLUSTRATION NOT TO SCALE	DESCRIPTION	OPER./COLOR	PART NO.
	<p>Hardware Package Top Hung Screen <i>Includes:</i> 1 – Strike 2 – 5/8" colored snap in plugs 1 – Instruction sheet 2 – #8x3/4" Phillips pan head screws</p>	AR	18900300
		BN	18900310
		PB	18900320
		BZ	18900330
		EG	18900340
		SW	18900342
		FV	18900343
		DB	18900347
		WB	18900344
		EB	18900346
		CS	11125065
		CU	11125394
		CB	11125723
		CO	11126052
		CG	11126382
		CC	11126711
		HS	11127040
SA	11127369		
SR	11127698		
GD	18900341		

PARTS

ILLUSTRATION NOT TO SCALE	DESCRIPTION	OPER./COLOR	PART NO.
	<p>BMC, 1 5/8", A228</p> <p style="text-align: right;">192" (4877)</p>	<p>AR BN PB BZ EG SW FV DB WB EB CS CU CB CO CG CC HS SA SR</p>	<p>18612597 18612697 18612797 18612897 18612997 18801500 18801502 18001504 18801510 18801512 19000412 19001412 19002412 19003412 19004412 19005412 19006412 19007412 19008412</p>
	<p>BMC, A898</p> <p style="text-align: right;">144" (3658)</p> <p style="text-align: right;">192" (4877)</p>	<p>AR BN PB BZ EG SW FV DB WB EB CS CU CB CO CG CC HS SA SR</p> <p>AR BN PB BZ SW DB WB EB</p>	<p>18613704 18613714 18613724 18613734 18613744 18802170 18802171 18802172 18802173 18802174 19000433 19001433 19002433 19003433 19004433 19005433 19006433 19007433 19008433</p> <p>18613705 18613715 18613725 18613735 18802142 18802145 18802144 18802140</p>

PARTS

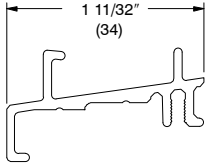
ILLUSTRATION NOT TO SCALE	DESCRIPTION	OPER./COLOR	PART NO.
	<p>CBMC Subsill, A246</p> <p>192" (4877)</p>	<p>AR BN PB BZ EG SW FV DB WB EB CS CU CB CO CG CC HS SA SR</p>	<p>18614699 18614799 18614899 18614999 18615099 18801540 18801542 18801544 18801550 18801552 19000150 19001150 19002150 19003150 19004150 19005150 19006150 19007150 19008150</p>

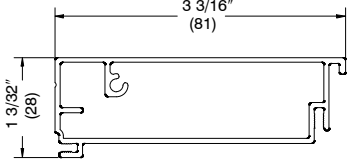

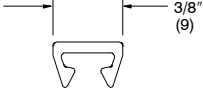
ILLUSTRATION NOT TO SCALE	DESCRIPTION	OPER./COLOR	PART NO.
	<p>3" Flat Casing, A243</p> <p>192" (4877)</p>	<p>AR BN PB BZ EG SW FV DB WB EB CS CU CB CO CG CC HS SA SR</p>	<p>18614099 18614199 18614299 18614399 18614499 18801520 18801522 18801524 18801530 18801532 19000148 19001148 19002148 19003148 19004148 19005148 19006148 19007148 19008148</p>
	<p>Exterior Frame Trim, A148</p> <p>Applied around entire unit perimeter to enclose openings at the end of space mulls.</p> <p>150" (3810)</p>	<p>AR BN PB BZ EG SW FV DB WB EB CS CU CB CO CG CC HS SA SR</p>	<p>15224800 15224810 15224820 15224830 15224840 18801440 18801442 18801444 18801450 18801452 19000138 19001138 19002138 19003138 19004138 19005138 19006138 19007138 19008138</p>
	<p>Mull Clip, A104</p> <p>150" (3810)</p>	<p>AR BN PB BZ EG SW FV DB WB EB CS CU CB CO CG CC HS SA SR</p>	<p>18600199 18600299 18600399 18600499 18600599 18800840 18800842 18800844 18800850 18800852 19000102 19001102 19002102 19003102 19004102 19005102 19006102 19007102 19008102</p>

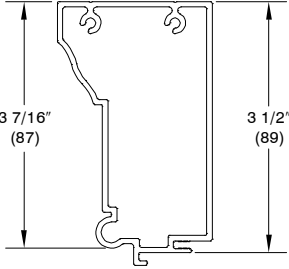
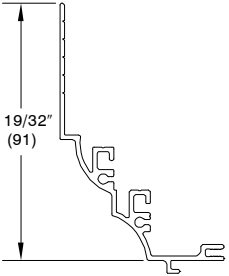
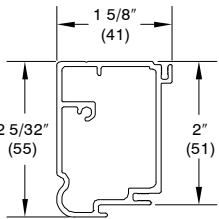
ILLUSTRATION NOT TO SCALE	DESCRIPTION	OPER./COLOR	PART NO.
	<p>Columbus Casing, A1440</p> <p>200" (5080)</p>	<p>AR BN PB BZ EG SW FV DB WB EB CS CU CB CO CG CC HS SA SR</p>	<p>18814000 18814002 18814004 18814006 18814008 18814010 18814012 18814014 18814016 18814018 18814020 18814022 18814024 18814026 18814028 18814030 18814032 18814034 18814036</p>
	<p>Kinsley Casing, A1441</p> <p>200" (5080)</p>	<p>AR BN PB BZ EG SW FV DB WB EB CS CU CB CO CG CC HS SA SR</p>	<p>18814100 18814102 18814104 18814106 18814108 18814110 18814112 18814114 18814116 18814118 18814120 18814122 18814124 18814126 18814128 18814130 18814132 18814134 18814136</p>
	<p>Grayson Casing, A1442</p> <p>200" (5080)</p>	<p>AR BN PB BZ EG SW FV DB WB EB CS CU CB CO CG CC HS SA SR</p>	<p>18814200 18814202 18814204 18814206 18814208 18814210 18814212 18814214 18814216 18814218 18814220 18814222 18814224 18814226 18814228 18814230 18814232 18814234 18814236</p>

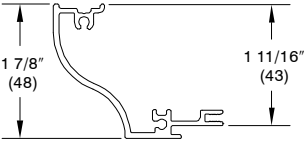
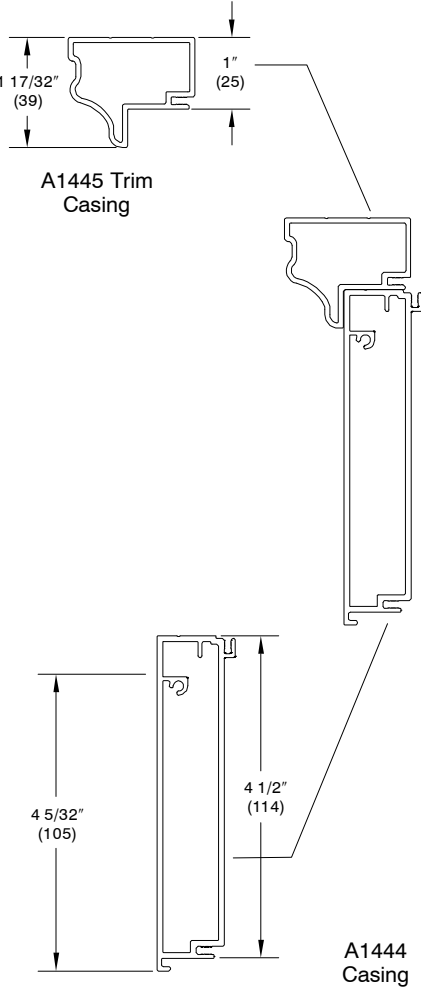
ILLUSTRATION NOT TO SCALE	DESCRIPTION	OPER./COLOR	PART NO.
	<p>Thorton Casing, A1443</p> <p>200" (5080)</p>	AR BN PB BZ EG SW FV DB WB EB CS CU CB CO CG CC HS SA SR	18814300 18814302 18814304 18814306 18814308 18814310 18814312 18814314 18814316 18814318 18814320 18814322 18814324 18814326 18814328 18814330 18814332 18814334 18814336
	<p>Potter Trim Casing, A1445</p> <p>200" (5080)</p>	AR BN PB BZ EG SW FV DB WB EB CS CU CB CO CG CC HS SA SR	18814500 18814502 18814504 18814506 18814508 18814510 18814512 18814514 18814516 18814518 18814520 18814522 18814524 18814526 18814528 18814530 18814532 18814534 18814536
<p>Potter Casing, A1444</p> <p>200" (5080)</p>	AR BN PB BZ EG SW FV DB WB EB CS CU CB CO CG CC HS SA SR	18814400 18814402 18814404 18814406 18814408 18814410 18814412 18814414 18814416 18814418 18814420 18814422 18814424 18814426 18814428 18814430 18814432 18814434 18814436	

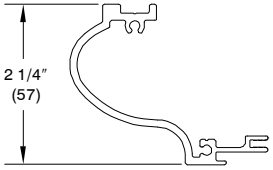
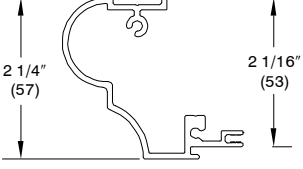
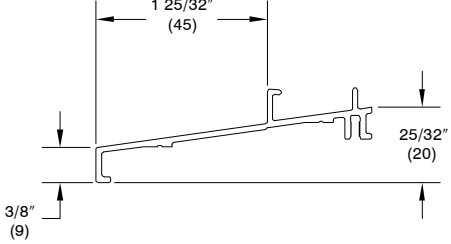
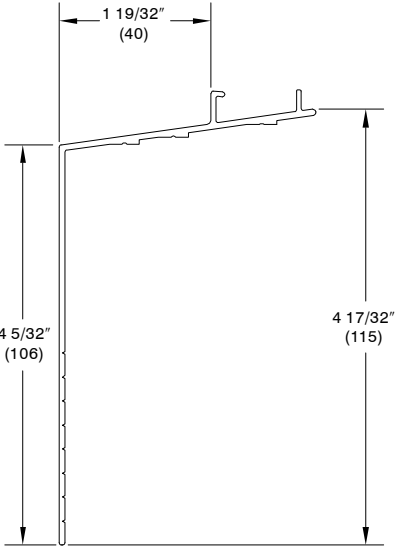
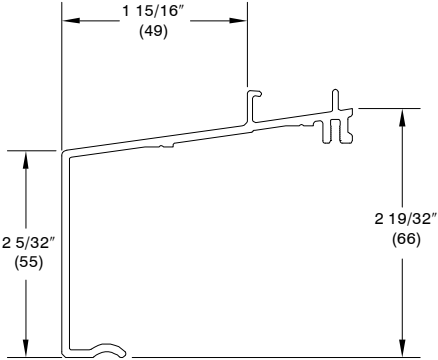
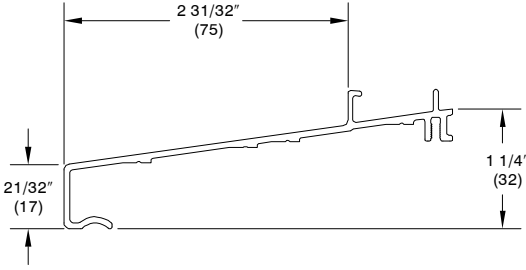
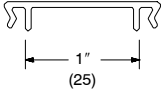
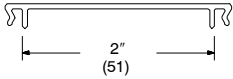
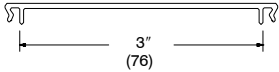
ILLUSTRATION NOT TO SCALE	DESCRIPTION	OPER./COLOR	PART NO.
	<p>Ridgeland Casing A1446</p> <p>200" (5080)</p>	AR BN PB BZ EG SW FV DB WB EB CS CU CB CO CG CC HS SA SR	18814600 18814602 18814604 18814606 18814608 18814610 18814612 18814614 18814616 18814618 18814620 18814622 18814624 18814626 18814628 18814630 18814632 18814634 18814636
	<p>Stratton Casing A1449</p> <p>200" (5080)</p>	AR BN PB BZ EG SW FV DB WB EB CS CU CB CO CG CC HS SA SR	18814900 18814902 18814904 18814906 18814908 18814910 18814912 18814914 18814916 18814918 18814920 18814922 18814924 18814926 18814928 18814930 18814932 18814934 18814936
	<p>A1450 Subsill</p> <p>200" (5080)</p>	AR BN PB BZ EG SW FV DB WB EB CS CU CB CO CG CC HS SA SR	18815000 18815002 18815004 18815006 18815008 18815010 18815012 18815014 18815016 18815018 18815020 18815022 18815024 18815026 18815028 18815030 18815032 18815034 18815036

ILLUSTRATION NOT TO SCALE	DESCRIPTION	OPER./COLOR	PART NO.
	<p>A1451 Subsill</p> <p>200" (5080)</p>	AR BN PB BZ EG SW FV DB WB EB CS CU CB CO CG CC HS SA SR	18815100 18815102 18815104 18815106 18815108 18815110 18815112 18815114 18815116 18815118 18815120 18815122 18815124 18815126 18815128 18815130 18815132 18815134 18815136
	<p>A1452 Subsill</p> <p>200" (5080)</p>	AR BN PB BZ EG SW FV DB WB EB CS CU CB CO CG CC HS SA SR	18815200 18815202 18815204 18815206 18815208 18815210 18815212 18815214 18815216 18815218 18815220 18815222 18815224 18815226 18815228 18815230 18815232 18815234 18815236
	<p>A1453 Subsill</p> <p>200" (5080)</p>	AR BN PB BZ EG SW FV DB WB EB CS CU CB CO CG CC HS SA SR	18815300 18815302 18815304 18815306 18815308 18815310 18815312 18815314 18815316 18815318 18815320 18815322 18815324 18815326 18815328 18815330 18815332 18815334 18815336

PARTS

ILLUSTRATION NOT TO SCALE	DESCRIPTION	OPER./COLOR	PART NO.
	<p>1" Space Mull Cover, A111</p> <p>150" (3810)</p>	AR BN PB BZ EG SW FV DB WB EB CS CU CB CO CG CC HS SA SR	18600600 18600610 18600620 18600630 18600640 18800880 18800882 18800884 18800890 18800892 19000112 19001112 19002112 19003112 19004112 19005112 19006112 19007112 19008112
	<p>2" Mull Cover, A112</p> <p>150" (3810)</p>	AR BN PB BZ EG SW FV DB WB EB CS CU CB CO CG CC HS SA SR	18600650 18600660 18600670 18600680 18600690 18800900 18800902 18800904 18800910 18800912 19000114 19001114 19002114 19003114 19004114 19005114 19006114 19007114 19008114
	<p>3" Mull Cover, A113</p> <p>150" (3810)</p>	AR BN PB BZ EG SW FV DB WB EB CS CU CB CO CG CC HS SA SR	18600700 18600710 18600720 18600730 18600740 18800920 18800922 18800924 18800930 18800932 19000116 19001116 19002116 19003116 19004116 19005116 19006116 19007116 19008116

PARTS

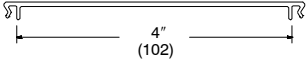
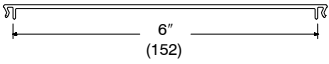
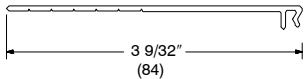
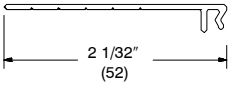
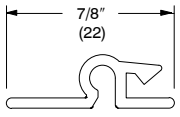
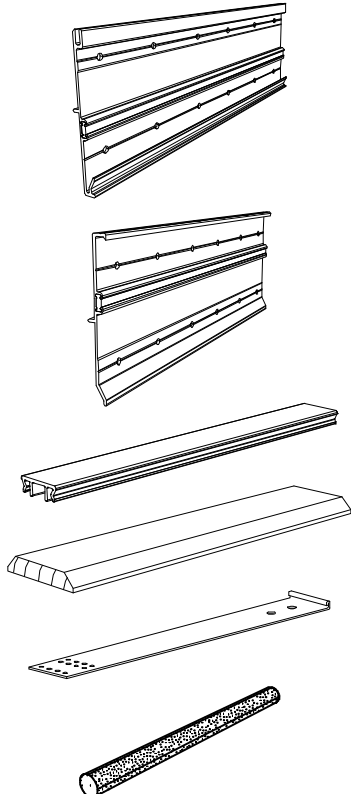
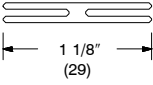
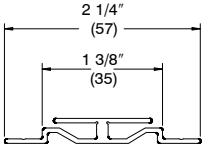
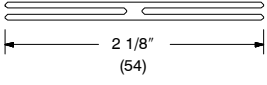
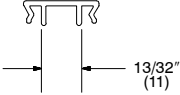
ILLUSTRATION NOT TO SCALE	DESCRIPTION	OPER./COLOR	PART NO.
	<p>4" Mull Cover, A114</p> <p>150" (3810)</p>	AR BN PB BZ EG Mill SW FV DB WB EB CS CU CB CO CG CC HS SA SR	18600750 18600760 18600770 18600780 18600790 18803015 18800940 18800942 18800944 18800950 18800952 19000118 19001118 19002118 19003118 19004118 19005118 19006118 19007118 19008118
	<p>6" Mull Cover, A116</p> <p>150" (3810)</p>	AR BN PB BZ EG SW FV DB WB EB CS CU CB CO CG CC HS SA SR	18600800 18600810 18600820 18600830 18600835 18800960 18800962 18800964 18800970 18800972 19000120 19001120 19002120 19003120 19004120 19005120 19006120 19007120 19008120
	<p>3" Frame Expander, A109</p> <p>150" (3810)</p>	AR BN PB BZ EG SW FV DB WB EB CS CU CB CO CG CC HS SA SR	18601000 18601010 18601020 18601030 18601040 18800860 18800862 18800864 18800870 18800872 19000108 19001108 19002108 19003108 19004108 19005108 19006108 19007108 19008108

ILLUSTRATION NOT TO SCALE	DESCRIPTION	OPER./COLOR	PART NO.
	<p>2" Frame Expander, A110 150" (3810)</p>	<p>AR BN PB BZ EG SW FV DB WB EB CS CU CB CO CG CC HS SA SR</p>	<p>18601050 18601060 18601070 18601080 18601090 18601099 18601100 18801424 18601101 18801432 19000110 19001110 19002110 19003110 19004110 19005110 19006110 19007110 19008110</p>
	<p>Extender, Jamb Extension, A126 150" (3810)</p> <p><i>NOTE: A126 is not available in the following colors: DB, WB, EB, CS, CU, CB, CO, CG, CC, HS, SA, SR</i></p>	<p>AR BN PB BZ EG SW FV</p>	<p>18601250 18601260 18601270 18601280 18601290 18714099 18714199</p>
	<p>3/8" Mull Reinforcement System 150" (3810) lineal package</p> <p><i>Includes:</i></p> <ul style="list-style-type: none"> 1 - Mullion reinforcement – head jamb or sill 16075000 1 - Mullion reinforcement – sill or jamb 16074000 1 - Mullion trim – W1242 clad – interior wood – interior and exterior 1 - 3/8" mullion cover – clad only 4 - Structural masonry brackets 6" – 11860012 10" – 11860013 1 - Foam backer rod 10500228 3/4" diameter – clad only 1 - Set of installation instructions <p>NOTE: All screws needed for installation are included.</p>	<p>AR FV DB WB EB CS CU CB CO CG CC HS SA SR</p>	<p>11873140 11873123 11873124 11873125 11873126 11873127 11873128 11873129 11873130 11873131 11873132 11873133 11873134 11873135</p>

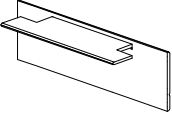
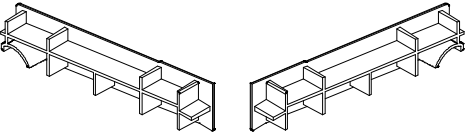
PARTS

ILLUSTRATION NOT TO SCALE	DESCRIPTION	OPER./COLOR	PART NO.
	<p>1" Mull Expander, A107</p> <p>150" (3810)</p>	AR BN PB BZ EG SW FV DB WB EB CS CU CB CO CG CC HS SA SR	18601300 18601310 18601320 18601330 18601340 18801400 18801402 18801404 18801410 18801412 19000104 19001104 19002104 19003104 19004104 19005104 19006104 19007104 19008104
	<p>1" Mull Expander, A118 with off-set mounting tabs</p> <p>150" (3810)</p>	AR BN PB BZ EG SW FV DB WB EB CS CU CB CO CG CC HS SA SR	18601600 18601610 18601620 18601630 18601640 18801000 18801002 18801004 18801010 18801012 19000124 19001124 19002124 19003124 19004124 19005124 19006124 19007124 19008124
	<p>2" Mull Expander, A108</p> <p>150" (3810)</p>	AR BN PB BZ EG SW FV DB WB EB CS CU CB CO CG CC HS SA SR	18601350 18601360 18601370 18601380 18601390 18601395 18601396 18601398 18601397 18601393 19000106 19001106 19002106 19003106 19004106 19005106 19006106 19007106 19008106

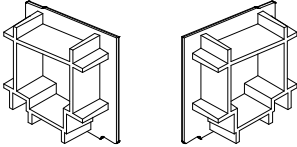
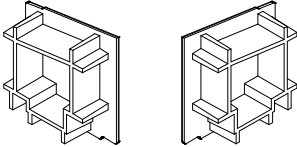
PARTS

ILLUSTRATION NOT TO SCALE	DESCRIPTION	OPER./COLOR	PART NO.
	<p>3/8" Mull Cover, A117</p> <p>150" (3810)</p>	<p>AR BN PB BZ EG SW FV DB WB EB CS CU CB CO CG CC HS SA SR</p>	<p>18601400 18601410 18601420 18601430 18601440 18800980 18800982 18800984 18800990 18800992 19000122 19001122 19002122 19003122 19004122 19005122 19006122 19007122 19008122</p>

END CAPS, LINEAL CAPS

ILLUSTRATION <i>NOT TO SCALE</i>	DESCRIPTION	COLOR	PART NO.
	<p>Clad Flat Casing End Cap, A247 3 11/64" (81)</p>	AR	18615103
		BN	18615203
		PB	18615303
		BZ	18615403
		EG	18615503
		SW	18723099
		FV	18723199
		DB	18723299
		WB	18723599
		EB	18723699
		CS	19000153
		CU	19001153
		CB	19002153
		CO	19003153
		CG	19004153
		CC	19005153
		HS	19006153
		SA	19007153
SR	19008153		
	<p>Subsill End Cap for A1453 <i>Right Hand or Left Hand.</i> <i>Each part number contains one cap.</i></p>		<u>Right Hand</u>
		AR	18812300
		FV	18812312
		DB	18812314
		WB	18812316
		EB	18812318
		CS	18812320
		CU	18812322
		CB	18812324
		CO	18812326
		CG	18812328
		CC	18812330
		HS	18812332
		SA	18812334
		SR	18812336
			<u>Left Hand</u>
		AR	18812301
		FV	18812313
		DB	18812315
		WB	18812317
		EB	18812319
		CS	18812321
		CU	18812323
		CB	18812325
		CO	18812327
		CG	18812329
		CC	18812331
		HS	18812333
SA	18812335		
SR	18812337		

END CAPS, LINEAL CAPS

ILLUSTRATION NOT TO SCALE	DESCRIPTION	COLOR	PART NO.
	<p>Subsill End Cap for A217 <i>Right Hand or Left Hand.</i> <i>Each part number contains one cap.</i></p>	AR FV DB WB EB CS CU CB CO CG CC HS SA SR	<p><u>Right Hand</u> 18812100 18812112 18812114 18812116 18812118 18812120 18812122 18812124 18812126 18812128 18812130 18812132 18812134 18812136</p>
	<p>Subsill End Cap for A217 <i>Right Hand or Left Hand.</i> <i>Each part number contains one cap.</i></p>	AR FV DB WB EB CS CU CB CO CG CC HS SA SR	<p><u>Left Hand</u> 18812101 18812113 18812115 18812117 18812119 18812121 18812123 18812125 18812127 18812129 18812131 18812133 18812135 18812137</p>

END CAPS, LINEAL CAPS

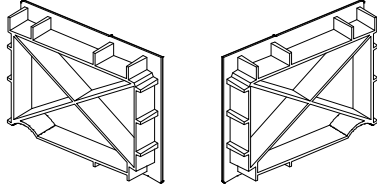
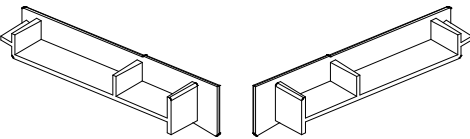
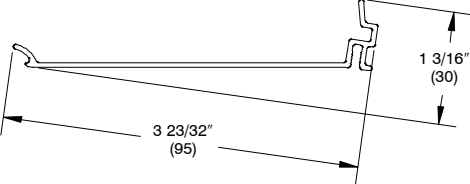
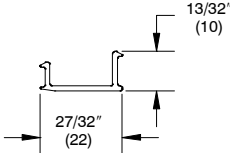
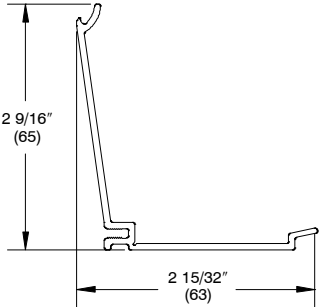
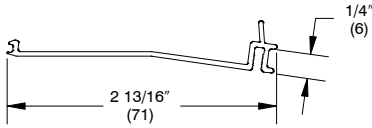
ILLUSTRATION NOT TO SCALE	DESCRIPTION	COLOR	PART NO.
	<p>Subsill End Cap for A1452 <i>Right Hand or Left Hand.</i> <i>Each part number contains one cap.</i></p>		<p><u>Right Hand</u> AR 18812200 FV 18812212 DB 18812214 WB 18812216 EB 18812218 CS 18812220 CU 18812222 CB 18812224 CO 18812226 CG 18812228 CC 18812230 HS 18812232 SA 18812234 SR 18812236</p>
			<p><u>Left Hand</u> AR 18812201 FV 18812213 DB 18812215 WB 18812217 EB 18812219 CS 18812221 CU 18812223 CB 18812225 CO 18812227 CG 18812229 CC 18812231 HS 18812233 SA 18812235 SR 18812237</p>

ILLUSTRATION NOT TO SCALE	DESCRIPTION	COLOR	PART NO.
	<p>Subsill End Cap for 1450 <i>Right Hand or Left Hand.</i> <i>Each part number contains one cap.</i></p>	<p>AR FV DB WB EB CS CU CB CO CG CC HS SA SR</p>	<p><u>Right Hand</u> 18812400 18812412 18812414 18812416 18812418 18812420 18812422 18812424 18812426 18812428 18812430 18812432 18812434 18812436</p> <p><u>Left Hand</u> 18812401 18812413 18812415 18812417 18812419 18812421 18812423 18812425 18812427 18812429 18812431 18812433 18812435 18812437</p>
	<p>A1458 Subsill Lineal Cap A1453 200" (5080)</p>	<p>AR SA CO FV CS DB CU CG CC CB HS SR WB EB</p>	<p>18815800 18815834 18815826 18815812 18815820 18815814 18815822 18815828 18815830 18815824 18815832 18815836 18815816 18815818</p>

END CAPS, LINEAL CAPS

ILLUSTRATION NOT TO SCALE	DESCRIPTION	COLOR	PART NO.
	<p>A1462 Subsill Lineal Cap A217 200" (5080)</p>	<p>AR SA CO FV CS DB CU CG CC CB HS SR WB EB</p>	<p>18816200 18816234 18816226 18816212 18816220 18816214 18816222 18816228 18816230 18816224 18816232 18816236 18816216 18816218</p>
	<p>A1460 Subsill Lineal Cap A1452 200" (5080)</p>	<p>AR SA CO FV CS DB CU CG CC CB HS SR WB EB</p>	<p>18816000 18816034 18816026 18816012 18816020 18816014 18816022 18816028 18816030 18816024 18816032 18816036 18816016 18816018</p>
	<p>A1463 Subsill Lineal Cap A1450 200" (5080)</p>	<p>AR SA CO FV CS DB CU CG CC CB HS SR WB EB</p>	<p>18816300 18816334 18816326 18816312 18816320 18816314 18816322 18816328 18816330 18816324 18816332 18816336 18816316 18816318</p>