

# CHAPTER 21

## MISCELLANEOUS MOULDINGS, EXTRUSIONS & ACCESSORIES

### Table of Contents

	<b>PAGE</b>
Interior Wood Parts .....	21.2
Exterior Wood Parts .....	21.9
Obsolete Wood Parts .....	21.12
<b>Accessories</b>	
Installation Accessories .....	21.15
Screens, Energy Panels, Turn Buttons .....	21.26
End Caps and Lineal Caps .....	21.28
Obsolete Installation Accessories .....	21.30
StormPlus Replacement Parts .....	See Online StormPlus Section

When ordering replacement wood parts specify:

1. profile number;
2. size – (call number or length);
3. wood species;
4. finish.

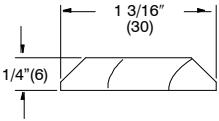
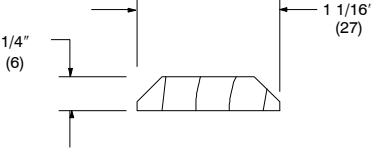
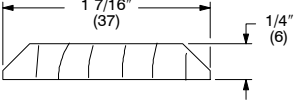
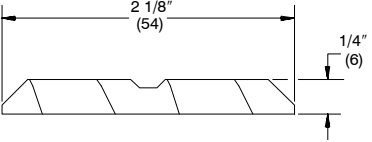
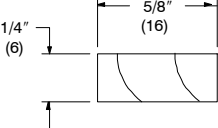
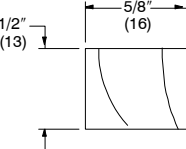
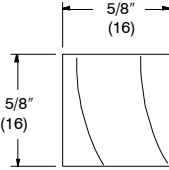
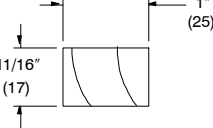
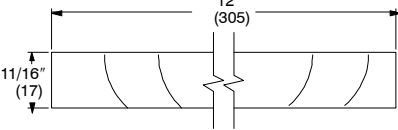
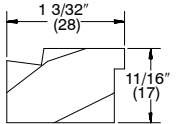
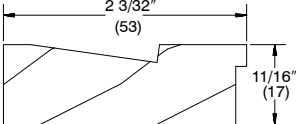
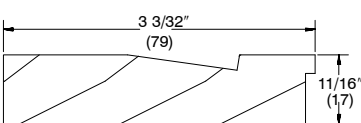
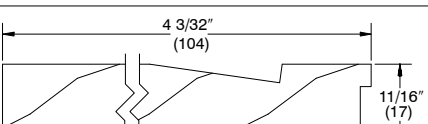
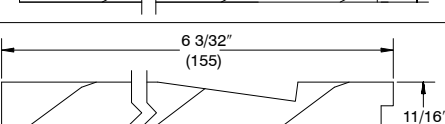
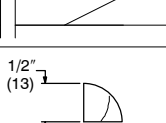
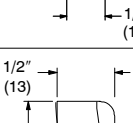
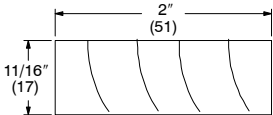
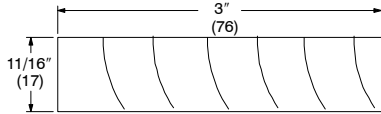
ILLUSTRATION NOT TO SCALE	DESCRIPTION	PROFILE NUMBER
	<p><b>Mullion Trim, Vertical</b>                      UDH, UDH RT, UDH Poly, CINDH                      Longest Length Available 120" (3048)</p>	W1065
	<p><b>Mullion Trim</b>                      Casemaster, Awning, Tilt-Turn, Hopper,                      Polygon, Round Top                      Longest Length Available 150" (3810)</p>	W1241
	<p><b>Mullion Trim</b>                      3/8" mullion reinforcement                      CM, AWN, UDH, WUDH RT, WUDH Poly, FDT,                      DRTR-DG                      OFD, STP, DH Interior                      Longest Length Available 150" (3810)</p>	W1242
	<p><b>Mullion Trim, Horizontal</b>                      UDH, UDH RT, UDH Poly, CINDH                      Longest Length Available 140" (3556)</p>	W1243
	<p><b>Jamb Extension – From 4 9/16" to 4 13/16"</b>                      Longest Length Available 144" (3658)</p>	W6010
	<p><b>Jamb Extension – From 4 9/16" to 5 1/16"</b>                      Longest Length Available 144" (3658)</p>	W6011
	<p><b>Jamb Extension – From 4 9/16" to 5 3/16"</b>                      Longest Length Available 144" (3658)</p>	W6012
	<p><b>1" Jamb Extension</b>                      Longest Length Available 94" (2388)</p>	W6120
	<p><b>12" Jamb Extension</b>                      Longest Length Available 120" (3048)</p>	W6380

ILLUSTRATION NOT TO SCALE	DESCRIPTION	PROFILE NUMBER
	<p><b>1" Jamb Extension – Ultimate Double Hung</b></p> <p>Longest Length Available                      144" (3658)</p>	<p>W2109</p>
	<p><b>2" Jamb Extension – Ultimate Double Hung</b></p> <p>Longest Length Available                      168" (4267)</p>	<p>W2059</p>
	<p><b>3" Jamb Extension – Ultimate Double Hung</b></p> <p>Longest Length Available                      168" (4267)</p>	<p>W1071</p>
	<p><b>4" Jamb Extension – Ultimate Double Hung</b></p> <p>Longest Length Available                      168" (4267)</p>	<p>W1069</p>
	<p><b>6" Jamb Extension – Ultimate Double Hung</b></p> <p>Longest Length Available                      168" (4267)</p>	<p>W1067</p>
	<p><b>Quarter Round Inside Stop</b></p> <p>Longest Length Available                      120" (3048)</p>	<p>W7003</p>
	<p><b>Bull Nose Stop</b></p> <p>Round Top                  Polygons                  Bent Glass Corner Unit</p> <p>Longest Length Available                      151" (3835)</p>	<p>W7013</p>



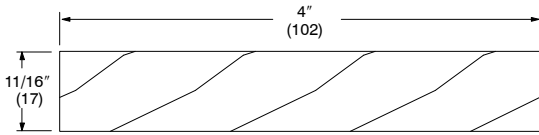
**W6279, 4/4 2" Flat**

Finish	Wood Species					
	Pine PN 144"	Cherry PN 144"	VG Douglas Fir PN 144"	Mahogany PN 144"	White Oak PN 144"	Cedro PN 144"
<b>Bare</b>	37015998	CH37015998	DF37015998	MA37015998	WK37015998	CG37015998
<b>Painted</b>	38600143	-	-	-	-	-
<b>Clear</b>	CL37015998	CCH37015998	CDF37015998	CMA37015998	CWK37015998	CCG37015998
<b>Prime</b>	38600144	-	-	-	-	-
<b>Honey</b>	SB37015998	SBCH37015998	SBDF37015998	SBMA37015998	SBWK37015998	SBCG37015998
<b>Wheat</b>	SA37015998	SACH37015998	SADF37015998	SAMA37015998	SAWK37015998	SACG37015998
<b>Cabernet</b>	SE37015998	SECH37015998	SEDF37015998	SEMA37015998	SEWK37015998	SECG37015998
<b>Leather</b>	SD37015998	SDCH37015998	SDDF37015998	SDMA37015998	SDWK37015998	SDCG37015998
<b>Hazelnut</b>	SC37015998	SCCH37015998	SCDF37015998	SCMA37015998	SCWK37015998	SCCG37015998
<b>Espresso</b>	SF37015998	SFCH37015998	SFDF37015998	SFMA37015998	SFWK37015998	SFCG37015998



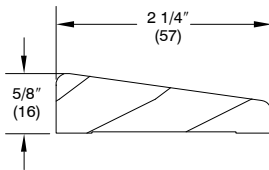
**W6378, 4/4 3" Flat**

Finish	Wood Species					
	Pine PN 144"	Cherry PN 144"	VG Douglas Fir PN 144"	Mahogany PN 144"	White Oak PN 144"	Cedro PN 144"
<b>Bare</b>	37016998	CH37016998	DF37016998	MA37016998	WK37016998	CG37016998
<b>Painted</b>	38602143	-	-	-	-	-
<b>Clear</b>	CL37016998	CCH37016998	CDF37016998	CMA37016998	CWK37016998	CCG37016998
<b>Prime</b>	38602144	-	-	-	-	-
<b>Honey</b>	SB37016998	SBCH37016998	SBDF37016998	SBMA37016998	SBWK37016998	SBCG37016998
<b>Wheat</b>	SA37016998	SACH37016998	SADF37016998	SAMA37016998	SAWK37016998	SACG37016998
<b>Cabernet</b>	SE37016998	SECH37016998	SEDF37016998	SEMA37016998	SEWK37016998	SECG37016998
<b>Leather</b>	SD37016998	SDCH37016998	SDDF37016998	SDMA37016998	SDWK37016998	SDCG37016998
<b>Hazelnut</b>	SC37016998	SCCH37016998	SCDF37016998	SCMA37016998	SCWK37016998	SCCG37016998
<b>Espresso</b>	SF37016998	SFCH37016998	SFDF37016998	SFMA37016998	SFWK37016998	SFCG37016998



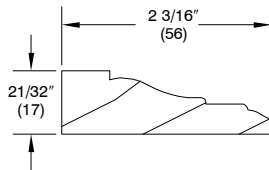
**W6329, 4/4 4" Flat**

Finish	Wood Species					
	Pine PN 144"	Cherry PN 144"	VG Douglas Fir PN 144"	Mahogany PN 144"	White Oak PN 144"	Cedro PN 144"
<b>Bare</b>	37020199	CH37020199	DF37020199	MA37020199	WK37020199	CG37020199
<b>Painted</b>	38020198	-	-	-	-	-
<b>Clear</b>	CL37020199	CCH37020199	CDF37020199	CMA37020199	CWK37020199	CCG37020199
<b>Prime</b>	38020199	-	-	-	-	-
<b>Honey</b>	SB37020199	SBCH37020199	SBDF37020199	SBMA37020199	SBWK37020199	SBCG37020199
<b>Wheat</b>	SA37020199	SACH37020199	SADF37020199	SAMA37020199	SAWK37020199	SACG37020199
<b>Cabernet</b>	SE37020199	SECH37020199	SEDF37020199	SEMA37020199	SEWK37020199	SECG37020199
<b>Leather</b>	SD37020199	SDCH37020199	SDDF37020199	SDMA37020199	SDWK37020199	SDCG37020199
<b>Hazelnut</b>	SC37020199	SCCH37020199	SCDF37020199	SCMA37020199	SCWK37020199	SCCG37020199
<b>Espresso</b>	SF37020199	SFCH37020199	SFDF37020199	SFMA37020199	SFWK37020199	SFCG37020199



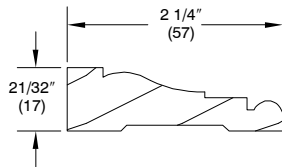
**W1144, MM44 Interior Casing**

Finish	Wood Species						
	Pine PN 84"	Pine PN 120"	Cherry PN 84"	VG Douglas Fir PN 84"	Mahogany PN 84"	White Oak PN 84"	Cedro PN 84"
<b>Bare</b>	31772048	31772099	CH31772048	DF31772048	MA31772048	WK31772048	CG31772048
<b>Painted</b>	38772049	38772098	-	-	-	-	-
<b>Clear</b>	CL31772048	CL31772099	CCH31772048	CDF31772048	CMA31772048	CWK31772048	CCG31772048
<b>Prime</b>	38772048	38772099	-	-	-	-	-
<b>Honey</b>	SB31772048	SB31772099	SBCH31772048	SBDF31772048	SBMA31772048	SBWK31772048	SBCG31772048
<b>Wheat</b>	SA31772048	SA31772099	SACH31772048	SADF31772048	SAMA31772048	SAWK31772048	SACG31772048
<b>Cabernet</b>	SE31772048	SE31772099	SECH31772048	SEDF31772048	SEMA31772048	SEWK31772048	SECG31772048
<b>Leather</b>	SD31772048	SD31772099	SDCH31772048	SDDF31772048	SDMA31772048	SDWK31772048	SDCG31772048
<b>Hazelnut</b>	SC31772048	SC31772099	SCCH31772048	SCDF31772048	SCMA31772048	SCWK31772048	SCCG31772048
<b>Espresso</b>	SF31772048	SF31772099	SFCH31772048	SFDF31772048	SFMA31772048	SFWK31772048	SFCG31772048



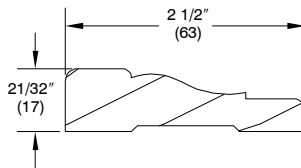
**W1366, WP366 Interior Casing**

Finish	Wood Species						
	Pine PN 84"	Pine PN 120"	Cherry PN 84"	VG Douglas Fir PN 84"	Mahogany PN 84"	White Oak PN 84"	Cedro PN 84"
<b>Bare</b>	31760784	31760999	CH31760784	DF31760784	MA31760784	WK31760784	CG31760784
<b>Painted</b>	38760785	38760997	-	-	-	-	-
<b>Clear</b>	CL31760784	CL31760999	CCH31760784	CDF31760784	CMA31760784	CWK31760784	CCG31760784
<b>Prime</b>	38760784	38760999	-	-	-	-	-
<b>Honey</b>	SB31760784	SB31760999	SBCH31760784	SBDF31760784	SBMA31760784	SBWK31760784	SBCG31760784
<b>Wheat</b>	SA31760784	SA31760999	SACH31760784	SADF31760784	SAMA31760784	SAWK31760784	SACG31760784
<b>Cabernet</b>	SE31760784	SE31760999	SECH31760784	SEDF31760784	SEMA31760784	SEWK31760784	SECG31760784
<b>Leather</b>	SD31760784	SD31760999	SDCH31760784	SDDF31760784	SDMA31760784	SDWK31760784	SDCG31760784
<b>Hazelnut</b>	SC31760784	SC31760999	SCCH31760784	SCDF31760784	SCMA31760784	SCWK31760784	SCCG31760784
<b>Espresso</b>	SF31760784	SF31760999	SFCH31760784	SFDF31760784	SFMA31760784	SFWK31760784	SFCG31760784



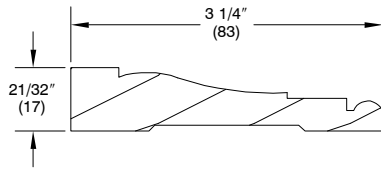
**W1376, MM376 Interior Casing**

Finish	Wood Species						
	Pine PN 84"	Pine PN 120"	Cherry PN 84"	VG Douglas Fir PN 84"	Mahogany PN 84"	White Oak PN 84"	Cedro PN 84"
<b>Bare</b>	31771075	31771069	CH31771075	DF31771075	MA31771075	WK31771075	CG31771075
<b>Painted</b>	38771074	38771072	-	-	-	-	-
<b>Clear</b>	CL31771075	CL31771069	CCH31771075	CDF31771075	CMA31771075	CWK31771075	CCG31771075
<b>Prime</b>	38771075	38771069	-	-	-	-	-
<b>Honey</b>	SB31771075	SB31771069	SBCH31771075	SBDF31771075	SBMA31771075	SBWK31771075	SBCG31771075
<b>Wheat</b>	SA31771075	SA31771069	SACH31771075	SADF31771075	SAMA31771075	SAWK31771075	SACG31771075
<b>Cabernet</b>	SE31771075	SE31771069	SECH31771075	SEDF31771075	SEMA31771075	SEWK31771075	SECG31771075
<b>Leather</b>	SD31771075	SD31771069	SDCH31771075	SDDF31771075	SDMA31771075	SDWK31771075	SDCG31771075
<b>Hazelnut</b>	SC31771075	SC31771069	SCCH31771075	SCDF31771075	SCMA31771075	SCWK31771075	SCCG31771075
<b>Espresso</b>	SF31771075	SF31771069	SFCH31771075	SFDF31771075	SFMA31771075	SFWK31771075	SFCG31771075



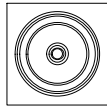
**W1351, WM351 Interior Casing**

Finish	Wood Species						
	Pine PN 84"	Pine PN 120"	Cherry PN 84"	VG Douglas Fir PN 84"	Mahogany PN 84"	White Oak PN 84"	Cedro PN 84"
<b>Bare</b>	31771071	31771068	CH31771071	DF31771071	MA31771071	WK31771071	CG31771071
<b>Painted</b>	38771077	38771067	-	-	-	-	-
<b>Clear</b>	CL31771071	CL31771068	CCH31771071	CDF31771071	CMA31771071	CWK31771071	CCG31771071
<b>Prime</b>	38771071	38771068	-	-	-	-	-
<b>Honey</b>	SB31771071	SB31771068	SBCH31771071	SBDF31771071	SBMA31771071	SBWK31771071	SBCG31771071
<b>Wheat</b>	SA31771071	SA31771068	SACH31771071	SADF31771071	SAMA31771071	SAWK31771071	SACG31771071
<b>Cabernet</b>	SE31771071	SE31771068	SECH31771071	SEDF31771071	SEMA31771071	SEWK31771071	SECG31771071
<b>Leather</b>	SD31771071	SD31771068	SDCH31771071	SDDF31771071	SDMA31771071	SDWK31771071	SDCG31771071
<b>Hazelnut</b>	SC31771071	SC31771068	SCCH31771071	SCDF31771071	SCMA31771071	SCWK31771071	SCCG31771071
<b>Espresso</b>	SF31771071	SF31771068	SFCH31771071	SFDF31771071	SFMA31771071	SFWK31771071	SFCG31771071



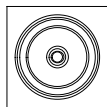
**W1445, WM445 Interior Casing**

Finish	Wood Species						
	Pine PN 84"	Pine PN 120"	Cherry PN 84"	VG Douglas Fir PN 84"	Mahogany PN 84"	White Oak PN 84"	Cedro PN 84"
<b>Bare</b>	31771060	31771070	CH31771060	DF31771060	MA31771060	WK31771060	CG31771060
<b>Painted</b>	38771061	38771097	-	-	-	-	-
<b>Clear</b>	CL31771060	CL31771070	CCH31771060	CDF31771060	CMA31771060	CWK31771060	CCG31771060
<b>Prime</b>	38771060	38771070	-	-	-	-	-
<b>Honey</b>	SB31771060	SB31771070	SBCH31771060	SBDF31771060	SBMA31771060	SBWK31771060	SBCG31771060
<b>Wheat</b>	SA31771060	SA31771070	SACH31771060	SADF31771060	SAMA31771060	SAWK31771060	SACG31771060
<b>Cabernet</b>	SE31771060	SE31771070	SECH31771060	SEDF31771060	SEMA31771060	SEWK31771060	SECG31771060
<b>Leather</b>	SD31771060	SD31771070	SDCH31771060	SDDF31771060	SDMA31771060	SDWK31771060	SDCG31771060
<b>Hazelnut</b>	SC31771060	SC31771070	SCCH31771060	SCDF31771060	SCMA31771060	SCWK31771060	SCCG31771060
<b>Espresso</b>	SF31771060	SF31771070	SFCH31771060	SFDF31771060	SFMA31771060	SFWK31771060	SFCG31771060



**3" Plinth Block**

Finish	Wood Species					
	Pine	Cherry	VG Douglas Fir	Mahogany	White Oak	Cedro
<b>Bare</b>	11850093	10499103	10499105	10499104	10499102	10499116
<b>Painted</b>	10499119	-	-	-	-	-
<b>Clear</b>	CL11850093	CCH10499103	CDF10499105	CMA10499104	CWK10499102	CCG10499116
<b>Prime</b>	10499118	-	-	-	-	-
<b>Honey</b>	SB11850093	SBCH10499103	SBDF10499105	SBMA10499104	SBWK10499102	SBCG10499116
<b>Wheat</b>	SA11850093	SACH10499103	SADF10499105	SAMA10499104	SAWK10499102	SACG10499116
<b>Cabernet</b>	SE11850093	SECH10499103	SEDF10499105	SEMA10499104	SEWK10499102	SECG10499116
<b>Leather</b>	SD11850093	SDCH10499103	SDDF10499105	SDMA10499104	SDWK10499102	SDCG10499116
<b>Hazelnut</b>	SC11850093	SCCH10499103	SCDF10499105	SCMA10499104	SCWK10499102	SCCG10499116
<b>Espresso</b>	SF11850093	SFCH10499103	SFDF10499105	SFMA10499104	SFWK10499102	SFCG10499116



**4" Plinth Block**

Finish	Wood Species					
	Pine	Cherry	VG Douglas Fir	Mahogany	White Oak	Cedro
<b>Bare</b>	11850092	10499112	10499114	10499113	10499111	10499117
<b>Painted</b>	10499121	-	-	-	-	-
<b>Clear</b>	CL11850092	CCH10499112	CDF10499114	CMA10499113	CWK10499111	CCG10499117
<b>Prime</b>	10499120	-	-	-	-	-
<b>Honey</b>	SB11850092	SBCH10499112	SBDF10499114	SBMA10499113	SBWK10499111	SBCG10499117
<b>Wheat</b>	SA11850092	SACH10499112	SADF10499114	SAMA10499113	SAWK10499111	SACG10499117
<b>Cabernet</b>	SE11850092	SECH10499112	SEDF10499114	SEMA10499113	SEWK10499111	SECG10499117
<b>Leather</b>	SD11850092	SDCH10499112	SDDF10499114	SDMA10499113	SDWK10499111	SDCG10499117
<b>Hazelnut</b>	SC11850092	SCCH10499112	SCDF10499114	SCMA10499113	SCWK10499111	SCCG10499117
<b>Espresso</b>	SF11850092	SFCH10499112	SFDF10499114	SFMA10499113	SFWK10499111	SFCG10499117



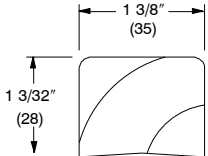
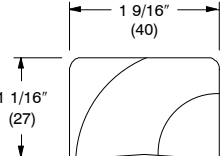
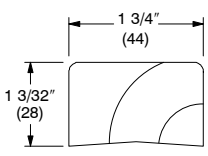
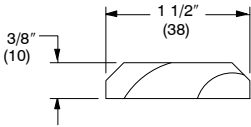
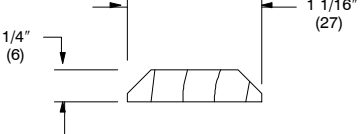
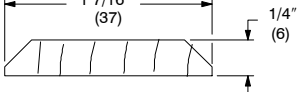
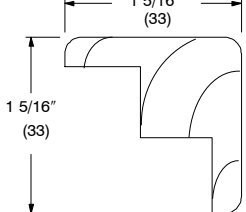
**3/8" Flat Head Plug**

Finish	Wood Species					
	Pine	Cherry	VG Douglas Fir	Mahogany	White Oak	Cedro
<b>Bare</b>	02074845	02074888	02074889	02074887	02074844	02074890
<b>Painted</b>	02072829	-	-	-	-	-
<b>Clear</b>	11100802	11100804	11100805	11100803	11100801	11100806
<b>Honey</b>	11100817	11100814	11100815	11100813	11100818	11100816
<b>Wheat</b>	11100811	11100808	11100809	11100807	11100812	11100810
<b>Cabernet</b>	11100835	11100832	11100833	11100831	11100836	11100834
<b>Leather</b>	11100829	11100826	11100827	11100825	11100830	11100828
<b>Hazelnut</b>	11100823	11100820	11100821	11100819	11100824	11100822
<b>Espresso</b>	11100841	11100838	11100839	11100837	11100842	11100840



When ordering replacement wood parts specify:

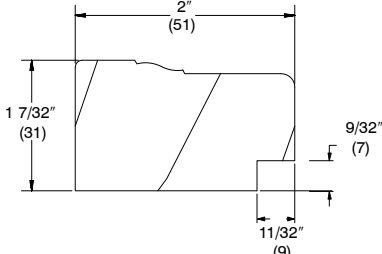
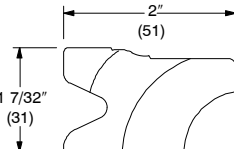
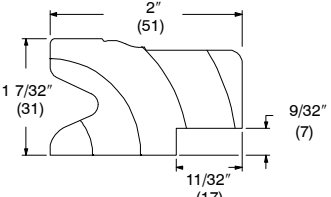
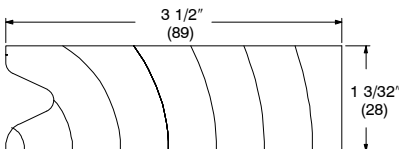
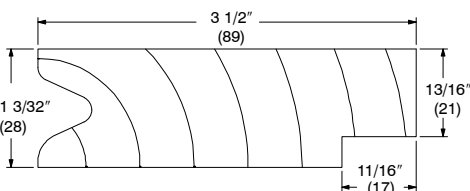
1. profile number;
2. size – (call number or length);
3. finish.

ILLUSTRATION NOT TO SCALE	DESCRIPTION	PROFILE NUMBER
	<p><b>Mullion Casing</b>                      WUDH, WUDH RT, WUDH Poly, WUDHP, WUDHT                      Longest Length Available 120" (3048)</p>	<p>W1032</p>
	<p><b>Mullion Casing</b>                      Gliders                      Longest Length Available 53 5/8" (1362)</p>	<p>W1034</p>
	<p><b>Mullion Casing</b>                      MDH, WUDH, WUDH RT, WUDHT Poly                      Longest Length Available 168" (4267)</p>	<p>W1094</p>
	<p><b>Mullion Casing</b>                      Tilt-Turn and Hopper                      Longest Length Available 120" (3048)</p>	<p>W1210</p>
	<p><b>Mullion Casing</b>                      CM                      AWN                      POLY                      RT                      Longest Length Available 150" (3810)</p>	<p>W1241</p>
	<p><b>Mullion Trim</b>                      3/8" mullion reinforcement                      Longest Length Available 150" (3810)</p>	<p>W1242</p>
	<p><b>Corner Cover</b>                      For wood Casemaster/Awning sash to sash corner units                      Longest Length Available 96" (2438)</p>	<p>W7037</p>

NOTE: All primed 5/4 flat casing through 3 1/2" will be finger-jointed. Any 5/4 flat casing over a 3 1/2" width will be edge-glued, primed or unprimed. Special widths (other than those listed) are available, specify 5/4 flat casing width needed.

ILLUSTRATION NOT TO SCALE	DESCRIPTION	PROFILE NUMBER																					
	<p><b>5/4 Flat Casing</b></p> <p>Longest Length Available</p> <table border="1"> <thead> <tr> <th>Width</th> <th>Clear (CL)</th> <th>Fingerjoint (FJ)</th> </tr> </thead> <tbody> <tr> <td>2"</td> <td>120" (3048)</td> <td>204" (5182)</td> </tr> <tr> <td>3 1/2"</td> <td>192" (4877)</td> <td>200" (5080)</td> </tr> <tr> <td>4"</td> <td>144" (3658)</td> <td>200" (5080)</td> </tr> <tr> <td>4 1/2"</td> <td>180" (4572)</td> <td>156" (3692)</td> </tr> <tr> <td>6"</td> <td>144" (3658)</td> <td>200" (5080)</td> </tr> <tr> <td>13"</td> <td>120" (3048)</td> <td>120" (3048)</td> </tr> </tbody> </table>	Width	Clear (CL)	Fingerjoint (FJ)	2"	120" (3048)	204" (5182)	3 1/2"	192" (4877)	200" (5080)	4"	144" (3658)	200" (5080)	4 1/2"	180" (4572)	156" (3692)	6"	144" (3658)	200" (5080)	13"	120" (3048)	120" (3048)	<p>W6274 W6330 W6332 W6335 W6344 W6390</p>
Width	Clear (CL)	Fingerjoint (FJ)																					
2"	120" (3048)	204" (5182)																					
3 1/2"	192" (4877)	200" (5080)																					
4"	144" (3658)	200" (5080)																					
4 1/2"	180" (4572)	156" (3692)																					
6"	144" (3658)	200" (5080)																					
13"	120" (3048)	120" (3048)																					
	<p><b>5/4 Flat Casing - Trimline Patio Door</b>                      Top - 3 1/2" width (with screen track kerf and backrabbet)</p> <p>Longest Length Available 152" (3861)</p>	<p>W1074</p>																					
	<p><b>5/4 Flat Casing - Trimline Patio Door</b>                      Side - 3 1/2" width (with backrabbet)</p> <p>Longest Length Available 112" (2845)</p>	<p>W1076</p>																					
	<p><b>Brick Mould Casing</b></p> <p>Longest Length Available CL 156" (3962) FJ 206" (5232)</p>	<p>W1047</p>																					
	<p><b>Brick Mould Casing - Wood Trimline Patio Door</b>                      Top - (with screen track kerf and backrabbet)</p> <p>Longest Length Available 143" (3632)</p>	<p>W1053</p>																					
	<p><b>Brick Mould Casing - Wood Trimline Patio Door and French Door Transom DG</b>                      Side - (with backrabbet)</p> <p>Longest Length Available 150" (3810)</p>	<p>W1052</p>																					
	<p><b>5/4 Flat Casing - 3 1/2" Width</b>                      UOFD, UIFD, USFD, SPD, FDTR, DGTR, CDIST, CD</p> <p>Longest Length Available 180" (4572)</p>	<p>W1122</p>																					

NOTE: Stucco casing is **not** available for head jamb application.

ILLUSTRATION NOT TO SCALE	DESCRIPTION	PROFILE NUMBER
	<p><b>Brick Mould Casing – Inswing French Door, French Door Transom (In Sash), Sliding French Door, Outswing French Door Arch Top French Door, Sliding Patio Door</b></p> <p>Longest Length Available                      148" (3759)</p>	<p>W6533</p>
	<p><b>Stucco Casing</b></p> <p>Longest Length Available                      204" (5182)</p>	<p>W1039</p>
	<p><b>Stucco Casing – Sliding and Ultimate French and Trimline Patio Door Side – (with backrabbet)</b></p> <p>Longest Length Available                      96" (2438)</p>	<p>W1049</p>
	<p><b>Stucco Casing, Flat</b> 3 1/2" width</p> <p>Longest Length Available                      120" (3048)</p>	<p>W1035</p>
	<p><b>Stucco Casing, Flat – Sliding and Ultimate French and Trimline Patio Door Side – 3 1/2" width (with backrabbet)</b></p> <p>Longest Length Available                      120" (3048)</p>	<p>W1030</p>

When ordering replacement wood parts specify:

1. product type;
2. call number or rough opening;
3. profile number;
4. length;
5. finish.

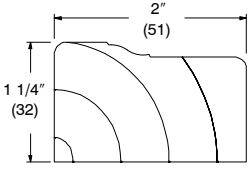
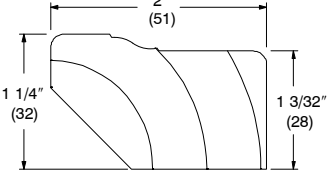
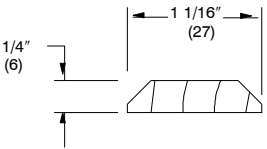
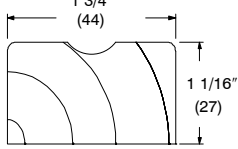
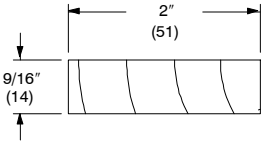
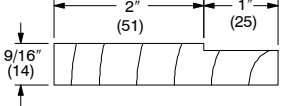
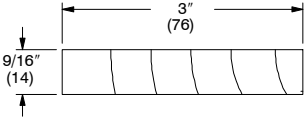
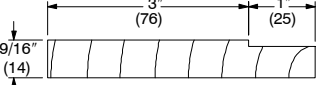
ILLUSTRATION NOT TO SCALE	DESCRIPTION	PROFILE NUMBER
	<p><b>6/4 Brick Mould Casing</b>                      Discontinued in 1994</p>	<p>W1038                      NA                      Replace with W1047</p>
	<p><b>Stucco Casing</b>                      Discontinued in 1993</p>	<p>NA                      Replace with W1039</p>
	<p><b>Mullion Casing – Stack &amp; Strip</b>                      Discontinued in 1993</p>	<p>W1241                      NA</p>
	<p><b>Fluted Casing – Wood Glider</b>                      Used between 1970 – 1988</p>	<p>MM36                      NA</p>
	<p><b>2" Jamb Extension</b>                      Terrace Door – head jamb or stationary side jamb                      Inswing French Door (pre- 5/98) – head jamb or stationary side jamb</p>	<p>W6270</p>
	<p><b>2" Jamb Extension</b>                      Terrace Door – operating side jambs                      Inswing French Door (pre- 5/98) – operating side jambs</p>	<p>W7228</p>
	<p><b>3" Jamb Extension</b>                      Terrace Door – head jamb or stationary side jamb                      Inswing French Door (pre- 5/98) – head jamb or stationary side jamb</p>	<p>W6310</p>
	<p><b>3" Jamb Extension</b>                      Terrace Door – operating side jambs                      Inswing French Door (pre- 5/98) – operating side jambs</p>	<p>W7229</p>

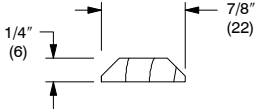
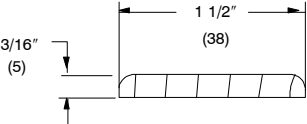
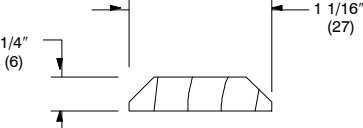
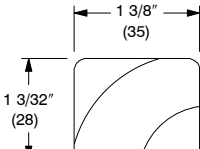
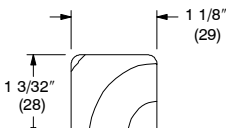
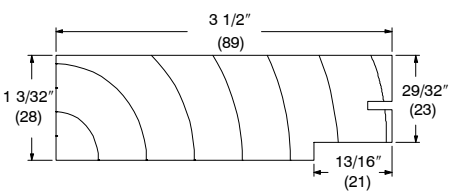
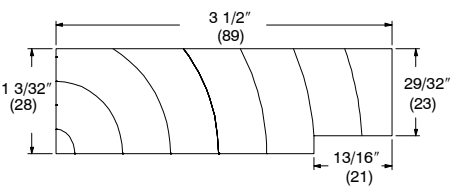
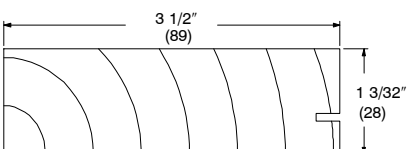
ILLUSTRATION NOT TO SCALE	DESCRIPTION	PROFILE NUMBER
	<b>Mullion Trim</b> Terrace Door Inswing French Door	W1195
	<b>Mullion Trim</b> Outswing French Door Safe-T-Plus Patio Door Double Hung Interior (Optional) French Door Transoms	W1223 (NA) Replace with W1242
	<b>Mullion Trim</b> Terrace Door, French Door	W1241
	<b>Mullion Casing</b> Double Hung	W1032
	<b>Mullion Casing</b> French Door	W1096
	<b>5/4 Flat Casing – Safe-T-Plus Patio Door</b> Top – 3 1/2" width (with screen track kerf and backrabbet)	W1070
	<b>5/4 Flat Casing – Safe-T-Plus Patio Door</b> Side – 3 1/2" width (with backrabbet)	W1072
	<b>5/4 Flat Casing – Terrace Door</b> Top – 3 1/2" width (with screen track kerf)	W1060

ILLUSTRATION NOT TO SCALE	DESCRIPTION	PROFILE NUMBER
	<b>Brick Mould Casing – Safe-T-Plus Patio Door</b> Side – (with backrabbet)	W1055
	<b>Brick Mould Casing – Safe-T-Plus Patio Door</b> Top – (with screen track kerf and backrabbet)	W1057
	<b>Brick Mould Casing – Terrace Door</b> Top – (with screen track kerf)	W1058
	<b>Stucco Casing – Safe-T-Plus Patio Door</b> Side – (with backrabbet)	W1046
	<b>Stucco Casing, Flat – Safe-T-Plus Patio Door</b> Side – 3 1/2" width (with backrabbet)	W1033

When ordering installation accessories specify:

1. part number;
2. description;
3. length (if applicable).

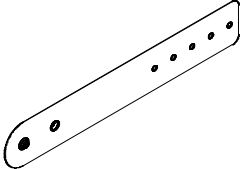
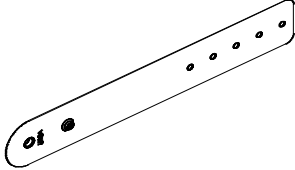

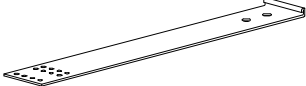
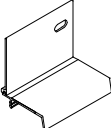
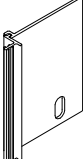
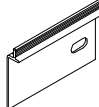
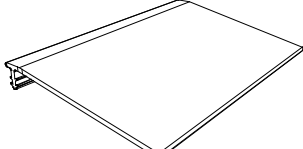

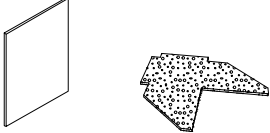
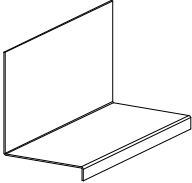
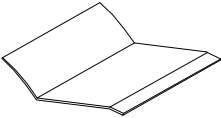
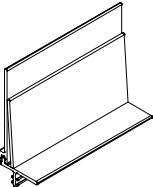
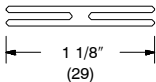
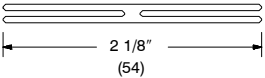
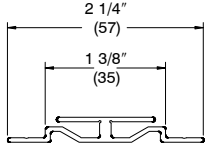
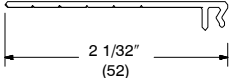
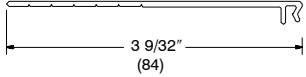
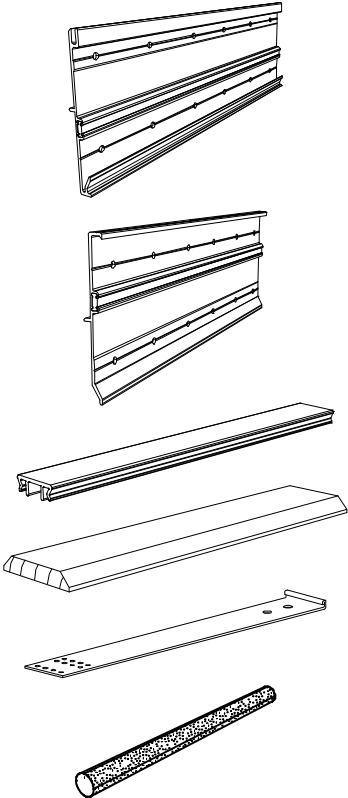
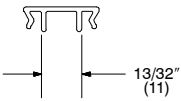
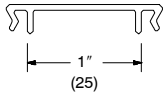
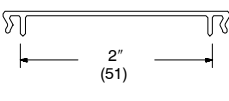
ILLUSTRATION NOT TO SCALE	DESCRIPTION	COLOR	PART NO.
	<p><b>Installation Bracket – 6 3/8"</b>                      MISC 048                      Includes #7x5/8" Phillips flathead wood screws                      For URCA, #8x1/2" screws will be included                      (11800502)</p> <p style="text-align: right;">Each                      pkg. 100                      pkg. 250</p>		<p>11850048                      11850052                      11850053</p>
	<p><b>Installation Bracket – 9 3/8"</b>                      MISC 076                      Includes #7x5/8" Phillips flathead wood screws                      For URCA, #8x1/2" screws will be included                      (11800502)</p> <p style="text-align: right;">Each                      pkg. 100                      pkg. 250</p>		<p>11850047                      11850050                      11850051</p>
	<p><b>Installation Bracket – 15 3/8"</b>                      MISC 0500                      Includes #7X5/8" Phillips flathead wood screws</p> <p style="text-align: right;">Each                      pkg. 100</p>		<p>11850040                      11850041</p>
	<p><b>Structural Masonry Brackets</b>                      MISC 1199</p> <p style="text-align: right;">6" Each                      10"</p>		<p>11860012                      11860013</p>
	<p><b>Hinged Vinyl Nailing Fin/Drip Cap</b>                      V119                      Clad units without casing      144" (3658)</p> <p>NOTE: Drip cap lip is clear.</p>	BG	16217199
	<p><b>Hinged Jamb Nailing Fin</b>                      V104                      Clad Units      144" (3658)</p>	BG	16217399
	<p><b>Hinged Sill Nailing Fin</b>                      V084      144" (3658)</p>	BG	16217299
	<p><b>Hinged Jamb/Sill Nailing Fin</b>                      V112      144" (3658)</p> <p>NOTE: For Bows and Bays</p>	BG	16000598

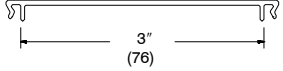
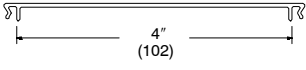
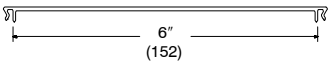

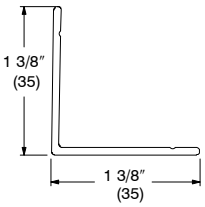
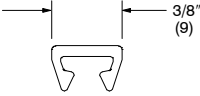
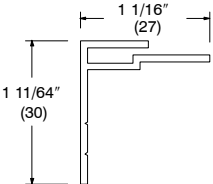
ILLUSTRATION NOT TO SCALE	DESCRIPTION	COLOR	PART NO.
	<b>Foam Corner Gasket – Nailing Fin</b> Adhesive backed Package of 4	WH	11869519
	<b>Foam Corner Gasket Set – Round Tops</b> Adhesive backed Includes 2 – 90 degree gaskets 4 – Nailing fin connectors		11869509
	<b>Drip Cap (Aluminum Flashing)</b> A100 Optional with all wood and clad units with casing 150" (3810)	SW BZ BN PB EG	18803599 15227999 15227799 15227899 15227650
	<b>Drip Cap, (Vinyl)</b> V226 Optional for wood Round Top units Specify length	BG	15223000
	<b>Hinged Vinyl Nailing Fin</b> V110 Flexible vinyl fin used for clad Round Tops 144" (3658) 240" (6096)	BG	16000612 16000620
	<b>1" Mullion Expander</b> A107 150" (3810)	SW BZ BN PB EG	18801400 18601330 18601310 18601320 18601340
	<b>2" Mullion Expander</b> A108 150" (3810)	SW BZ BN PB EG	18601395 18601380 18601360 18601370 18601390
	<b>1" Mullion Expander</b> With offset mounting tabs A118 150" (3810)	SW BZ BN PB EG	18801000 18601630 18601610 18601620 18601640
	<b>2" Frame Expander</b> A110 150" (3810)  NOTE: Must also use accessory kerf weather strip – frame.	SW BZ BN PB EG	18601099 18601080 18601060 18601070 18601090

\* Please reference the Select Color Chapter (chapter 25) for select color part numbers. (Available online only).

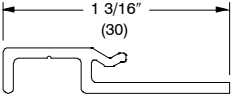
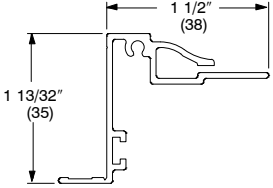
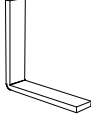
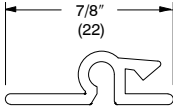
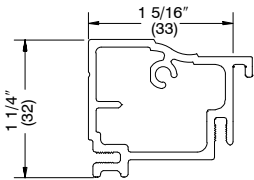
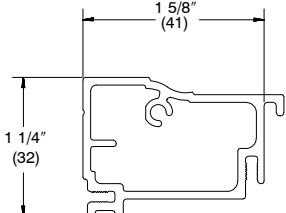
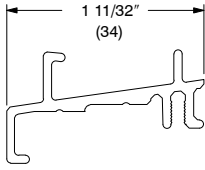


ILLUSTRATION NOT TO SCALE	DESCRIPTION	COLOR	PART NO.
	<p><b>3" Frame Expander</b>                      A109</p> <p style="text-align: right;">150" (3810)</p> <p>NOTE: Must also use accessory kerf weather strip – frame.</p>	<p>SW                      BZ                      BN                      PB                      EG</p>	<p>18800860                      18601030                      18601010                      18601020                      18601040</p>
	<p><b>3/8" Mullion Reinforcement System</b>                      150" lineal package</p> <p style="text-align: right;">Wood</p> <p style="text-align: right;">Clad</p> <p><i>Includes:</i></p> <p>1 – Mullion reinforcement – head jamb or sill 16075000                      1 – Mullion reinforcement – sill or jamb 16074000                      1 – Mullion trim – W1242                      clad – interior                      wood – interior and exterior                      1 – 3/8" mullion cover – clad only                      SW – 18800980                      BZ – 18601430                      PB – 18601420                      BN – 18601410                      EG – 18601440                      4 – Structural masonry brackets                      6" – 11860012                      10" – 11860013                      1 – Foam backer rod 10500228                      3/4" diameter – clad only                      1 – Set of installation instructions</p> <p>NOTE: All screws needed for installation are included.</p>	<p>SW                      BZ                      PB                      BN                      EG</p>	<p>11873100                      11873145                      11873143                      11873142                      11873141                      11873144</p>
	<p><b>3/8" Mullion Cover</b>                      A117</p> <p style="text-align: right;">150" (3810)</p> <p>NOTE: Must also use accessory kerf weather strip – frame.</p>	<p>SW                      BZ                      PB                      BN                      EG</p>	<p>18800980                      18601430                      18601420                      18601410                      18601440</p>
	<p><b>1" Mullion Cover</b>                      A111</p> <p style="text-align: right;">150" (3810)</p> <p>NOTE: Must also use accessory kerf weather strip – frame.</p>	<p>SW                      BZ                      PB                      BN                      EG</p>	<p>18800880                      18600630                      18600620                      18600610                      18600640</p>
	<p><b>2" Mullion Cover</b>                      A112</p> <p style="text-align: right;">150" (3810)</p> <p>NOTE: Must also use accessory kerf weather strip – frame.</p>	<p>SW                      BZ                      PB                      BN                      EG</p>	<p>18800900                      18600680                      18600670                      18600660                      18600690</p>

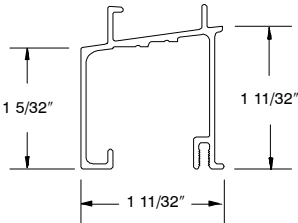
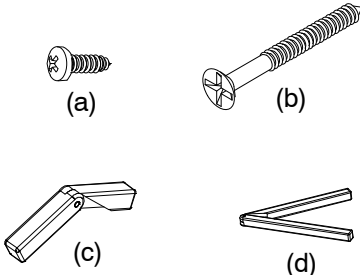

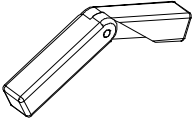
\* Please reference the Select Color Chapter (chapter 25) for select color part numbers. (Available online only).

ILLUSTRATION NOT TO SCALE	DESCRIPTION	COLOR	PART NO.
	<p><b>3" Mullion Cover</b>                      A113</p> <p style="text-align: right;">150" (3810)</p> <p>NOTE: Must also use accessory kerf weather strip – frame.</p>	SW BZ PB BN EG WH	18800920 18600730 18600720 18600710 18600740 18600700
	<p><b>4" Mullion Cover</b>                      A114</p> <p style="text-align: right;">150" (3810)</p> <p>NOTE: Must also use accessory kerf weather strip – frame.</p>	SW BZ PB BN EG	18800940 18600780 18600770 18600760 18600790
	<p><b>6" Mullion Cover</b>                      A116</p> <p style="text-align: right;">150" (3810)</p> <p>NOTE: Must also use accessory kerf weather strip – frame.</p>	SW BZ PB BN EG	18800960 18600830 18600820 18600810 18600835
	<p><b>Side Trim</b>                      A148</p> <p>Applied around entire unit perimeter to enclose openings at the end of space mullions.</p> <p style="text-align: right;">150" (3810)</p> <p>NOTE: Must also use accessory kerf weather strip – frame.</p>	SW BZ PB BN EG	18801440 15224830 15224820 15224810 15224840
	<p><b>Corner Cover</b>                      A119</p> <p>For clad Casemaster / Awning sash to sash corner units</p> <p style="text-align: right;">150" (3810)</p>	SW BZ PB BN EG	18801180 18600886 18600884 18600882 18600888
	<p><b>Mullion Cap</b>                      A104</p> <p style="text-align: right;">150" (3810)</p>	SW BZ PB BN EG	18800840 18600499 18600399 18600299 18600599
	<p><b>90° Frame Expander</b>                      A120</p> <p style="text-align: right;">150" (3810)</p>	SW BZ PB BN EG	18801013 18601230 18601220 18601210 18601240

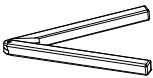
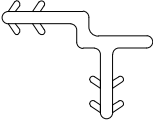

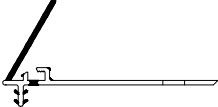
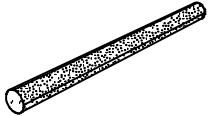

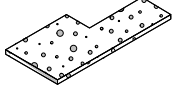
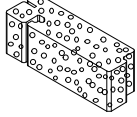
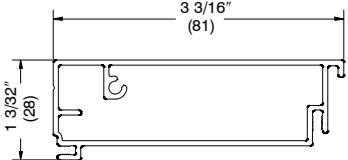
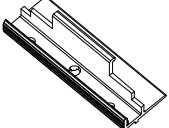
\* Please reference the Select Color Chapter (chapter 25) for select color part numbers. (Available online only).

ILLUSTRATION NOT TO SCALE	DESCRIPTION	COLOR	PART NO.
	<p><b>Sill Adapter</b>                      A129</p> <p>NOTE: For use with A130</p> <p>150" (3810)</p>	SW BZ PB BN EG	18804599 18601800 18601790 18601780 18601810
	<p><b>Adjustable Clad Brick Mould Casing</b>                      A130</p> <p>150" (3810)</p>	SW BZ PB BN EG	18802205 18601720 18601710 18601700 18601725
	<p><b>Corner Key – Adjustable Brick Mould Casing</b></p> <p>Package of 50</p>	Mill Finish	02010232
	<p><b>Extender – Jamb Extension</b>                      A126</p> <p>150" (3810)</p> <p>NOTE: Must also use accessory kerf weather strip – frame.</p>	SW BZ PB BN EG	18714099 18601280 18601270 18601260 18601290
	<p><b>Clad Brick Mould Casing</b>                      A898</p> <p>144" (3658)</p> <p>NOTE: Must also use accessory kerf weather strip – frame.</p>	SW BZ PB BN EG	18802170 18613734 18613724 18613714 18613744
	<p><b>Clad Brick Mould Casing</b>                      A228</p> <p>192" (4877)</p> <p>NOTE: Must also use accessory kerf weather strip – frame.</p>	SW BZ PB BN EG	18801500 18612897 18612797 18612697 18612997
	<p><b>Clad Casing – Subsill</b>                      A246</p> <p>192" (4877)</p>	SW BZ PB BN EG	18801540 18614999 18614899 18614799 18615099


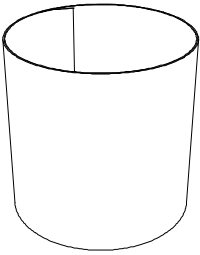
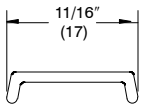
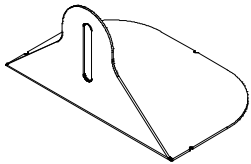

\* Please reference the Select Color Chapter (chapter 25) for select color part numbers. (Available online only).

ILLUSTRATION NOT TO SCALE	DESCRIPTION	COLOR	PART NO.
	<b>Simulated Thick Sill</b> A217 200" (5080)	SW BZ PB BN EG	18801968 18565399 18565299 18565199 18565499
	<b>Field Applied CBMC Package</b> <b>Rectangular</b> 12-#8x5/8" Phillips Panhead Screws (a) 5-#8 x 1 1/2" Phillips Flathead Screws (b) 1-Instruction		11850119
	<b>Field Applied CBMC Package</b> <b>Round Top</b> 3-2" Pivoting Corner Key (c) 2-6" Pivoting Corner Key (d) 12-#8x5/8" Phillips Panhead Screws (a) 3-#8x1 1/2" Phillips Flathead Screws (b) 7-#7x5/8" Phillips Flathead Screws (e) 1-Instruction		11850118
	<b>2" Pivoting Corner Key</b>		11870477

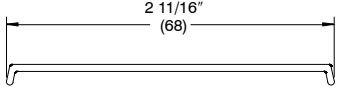
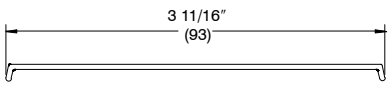
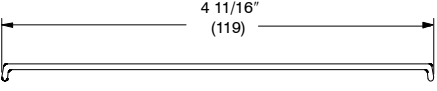
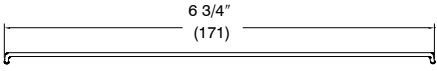
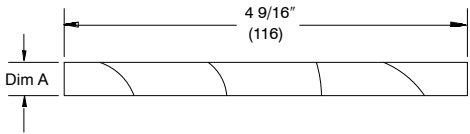
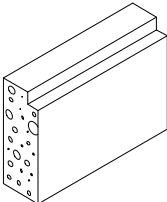
\* Please reference the Select Color Chapter (chapter 25) for select color part numbers. (Available online only).

ILLUSTRATION NOT TO SCALE	DESCRIPTION	COLOR	PART NO.
	<b>6" Pivoting Corner Key</b>  NOTE: For angles sharper than 45°		11870479
	<b>Connecting Barb</b> V087  150" (3810) 58" (1473)		16000600 16000601
	<b>Jamb / Sill Nailing Fin</b> V499 Optional for Clad casing  150" (3810) 200" (5080)		Discontinued replace with V084
	<b>Radius Nailing Fin</b> V088 Optional for Clad casing  150" (3810)		16000599
	<b>Accessory Kerf Weather Strip – Frame</b> MISC 1242 Specify length  5/32" diameter	BG	15910100
	<b>Foam Mulling Tape</b> MISC 568  100' 96" (2438)	BK BK	11406224 11869508
	<b>Foam Gasket, Sill Horn</b> MISC 1248  Package of 2	GY	10500214
	<b>Foam Plug</b>	WH	10500002
	<b>Clad Flat Casing</b> A243  192" (4877)  NOTE: Must also use accessory kerf weather strip – frame.	SW BZ PB BN EG	18801520 18614399 18614299 18614199 18614499
	<b>Clad Flat Casing Fastening Clip</b> A244		18614502

\* Please reference the Select Color Chapter (chapter 25) for select color part numbers. (Available online only).

ILLUSTRATION NOT TO SCALE	DESCRIPTION	COLOR	PART NO.
	<b>Exterior Clad Touch Up Paint – Brush*</b> 6 oz.	SW BZ PB BN EG	01530322 01530326 01530323 01530325 01530324
	<b>Touch Up Paint</b> Ultrex Sill	BG	11406026
	<b>Painted Interior Finish Touch Up</b> .75 oz bottle	WH	11401906
	<b>Clear Interior Finish Touch Up</b> .75 oz bottle	CL	11401918
	<b>Stain Interior Finish Touch Up</b> .6 oz bottle	Leather Wheat Hazelnut Cabernet Espresso Honey	11402292 11402290 11402293 11402294 11402295 11402291
	<b>Coil Stock, 18" Width</b> .024 roll form aluminum supplied in 50 foot rolls, colors listed are per side (example – #15221312 has 1 bronze side and 1 brown side). 12" and 24" widths are not available.	BZ/BN AR/PB EG/WB SW/FV SW FV EB/DB SR/CO HS/SA CS/CG CC/CU CB	15221312 15221311 15221309 N/A 15221314 15221315 15221313 15221316 15221318 15221320 15221322 15221324
	<b>Field Service Mullion Clip Cap</b> (For direct mullion) A334 150" (3810)	SW BZ PB BN EG	18609660 18609640 18609630 18609620 18609650
	<b>Jamb Alignment Bracket</b> Doors 1 5/8" (Jamb Depth ≤ 4 13/16") 3 5/8" (Jamb Depth 4 13/16" – 6 13/16") 6 5/8" (Jamb Depth 6 13/16" – 9 13/16") <i>NOTE: Jamb depth applies to only jamb extensions applied to the interior. Standard length (1 5/8") is used on all inswing doors.</i>		11841016 11841017 11841018
	<b>Jamb Alignment Bracket Receiver</b> Doors		11841002

\* Please reference the Select Color Chapter (chapter 25) for select color part numbers. (Available online only).

ILLUSTRATION NOT TO SCALE	DESCRIPTION	COLOR	PART NO.																												
	<b>Field Service Mullion Clip Cap</b> (For 2" mullion) A320 150" (3810)	SW BZ PB BN EG	18609599 18609399 18609299 18609199 18609499																												
	<b>Field Service Mullion Clip Cap</b> (For 3" mullion) A331 150" (3810)	SW BZ PB BN EG	18609760 18609740 18609730 18609720 18609750																												
	<b>Field Service Mullion Clip Cap</b> 4" (102) A332 150" (3810)	SW BZ PB BN EG	18609860 18609840 18609830 18609820 18609850																												
	<b>Field Service Mullion Clip Cap</b> 6" (152) A1487 150" (3810)	SW BZ PB BN EG	18881010 18881006 18881004 18881002 18881008																												
	<b>Stud Pocket and Space Mull Blocking</b> <table border="1" data-bbox="808 1276 1174 1486"> <thead> <tr> <th></th> <th>Width</th> <th>Dim A</th> <th></th> </tr> </thead> <tbody> <tr> <td>W6016</td> <td>3/8</td> <td>.375</td> <td>32249310</td> </tr> <tr> <td>W6128</td> <td>1</td> <td>.969</td> <td>32249312</td> </tr> <tr> <td>W6271</td> <td>2</td> <td>1.969</td> <td>32249314</td> </tr> <tr> <td>W8917</td> <td>2</td> <td>2.000</td> <td>32249336</td> </tr> <tr> <td>W6304</td> <td>3</td> <td>2.969</td> <td>32249316</td> </tr> <tr> <td>W6466</td> <td>4</td> <td>3.969</td> <td>32249318</td> </tr> </tbody> </table>		Width	Dim A		W6016	3/8	.375	32249310	W6128	1	.969	32249312	W6271	2	1.969	32249314	W8917	2	2.000	32249336	W6304	3	2.969	32249316	W6466	4	3.969	32249318		
	Width	Dim A																													
W6016	3/8	.375	32249310																												
W6128	1	.969	32249312																												
W6271	2	1.969	32249314																												
W8917	2	2.000	32249336																												
W6304	3	2.969	32249316																												
W6466	4	3.969	32249318																												
	<b>Foam Sealant Block for Space Mull and Stud Pocket</b> 96" (2438)		10500018																												

MISCELLANEOUS MOULDING & EXTRUSIONS  
**INSTALLATION ACCESSORIES**

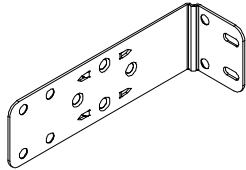
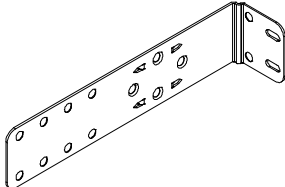
ILLUSTRATION NOT TO SCALE	DESCRIPTION	COLOR	PART NO.
	<b>Structural Bracket, 4 9/16"</b>	Each 50/Box 100/Box	11860036 11860037 11860038
	<b>Structural Bracket, 6 9/16"</b>	Each 50/Box 100/Box	11860032 11860033 11860034



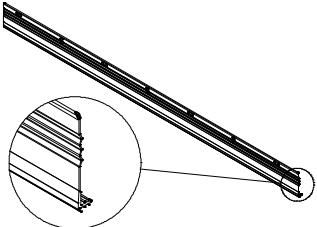
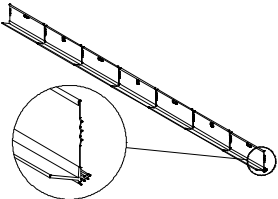
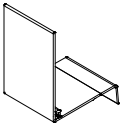
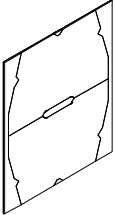
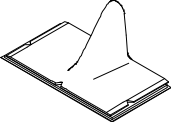
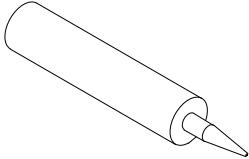
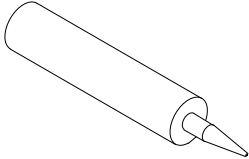
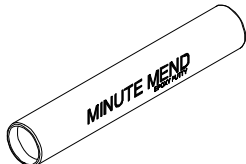
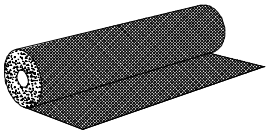
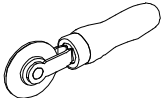
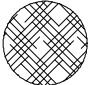
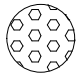
ILLUSTRATION NOT TO SCALE	DESCRIPTION	COLOR	PART NO.
	<b>Aluminum Nail Fin</b> 96" (2438)		16212699
	<b>Aluminum Nail Fin – Radius Units</b> 96" (2438)		16214596
	<b>Hinged Drip Cap</b> Aluminum Nail Fin V1770, 150" (3810)		16213150
	<b>Flat Gasket (Pair)</b> Aluminum Nail Fin Splicing Gasket		11869826
	<b>Preformed Corner Gasket</b> Aluminum Nail Fin		10500422

ILLUSTRATION NOT TO SCALE	COLOR	PART NO.	
		Each	Case (20)
	(Standard)		
	BG BN SW CL PB BZ EG	11407078 11407051 11407102 11407092 11407052 11407053 11407054	N/A 11407096 11407089 N/A 11407097 11407098 11407099
	(Select)	Each	Case (20)
	AR FV WB EB DB CS CU CB CO CG CC HS SA SR	11407050 11407100 11407101 11407058 11407103 11407200 11407133 11407134 11407135 11407136 11407137 11407138 11407139 11407140	11407095 N/A N/A N/A N/A N/A N/A N/A N/A N/A N/A N/A N/A N/A
	<b>Minute Mend Putty</b>		11410007

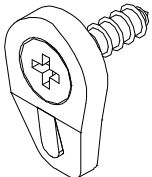
**SCREEN ACCESSORIES**

ILLUSTRATION NOT TO SCALE	DESCRIPTION	OPER./ COLOR	PART NO.
	<b>Screen Cloth, Fiberglass Mesh</b> 36" x 600' 48" x 300' 72" x 300'	Charcoal	11253600 11254800 11257200
	<b>Screen Cloth, High Transparency Screen Mesh</b> 36" x 300' 48" x 300' 72" x 300'	Charcoal	11259236 11259248 11259272
	<b>Spline Roller</b> Tool for rescreening		02590541
	<b>Spline, Screen for Upgraded Magnum Screen</b> V2176 - .150 inch diameter, foam Specify lineal feet needed	Black	15221496
	<b>Spline, Screen for Standard Screen</b> V201 - .140 inch diameter, foam Specify lineal feet needed	Black	15221488

**ENERGY PANEL AND COMBINATION PARTS**

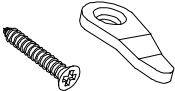
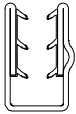
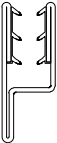
Energy panels and combination units are attached with the current style turn buttons. Discontinued black turn buttons have been replaced by brown

When ordering energy panels parts specify quantity, part number, color and description.

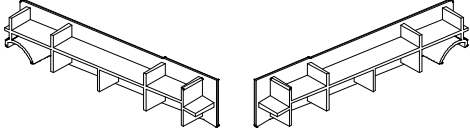
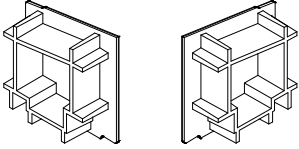
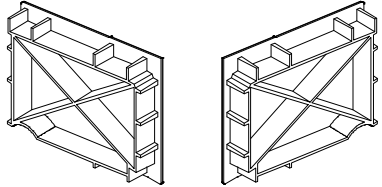
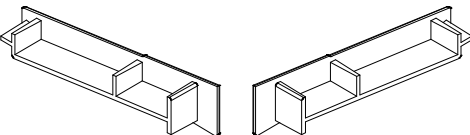
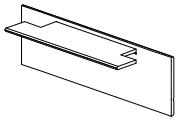
ILLUSTRATION <i>NOT TO SCALE</i>	DESCRIPTION
	<p><b>Turn Button</b> All turn buttons include a #8x3/4" SS full thread screw</p>

Color	Each	Pkg of 8	Pkg of 50	Pkg of 100
SW	11869294	11869454	11869314	11869320
Clear	11869309	11869455	11869315	11869321
Pebble	11869292	11869452	11869312	11869318
Bronze	11869291	11869451	11869311	11869317
Brown	11869293	11869453	11869313	11869319
Arctic White	11869290	11869450	11869310	11869316

NOTE: Energy panels for UDH, USH, MDH, MSH, MTH, UGL are attached with metal turn buttons. When ordering replacement parts specify size, color of surround and glass type.

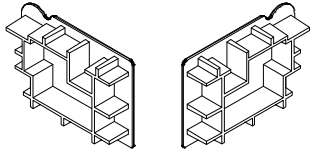
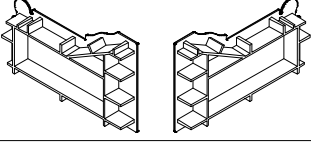
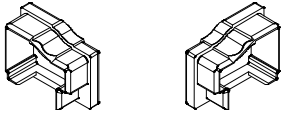
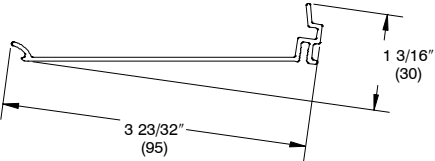
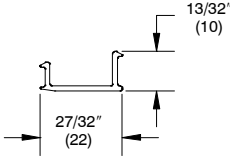
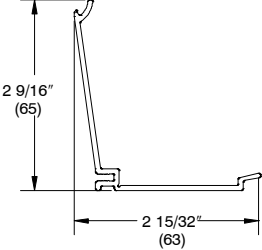
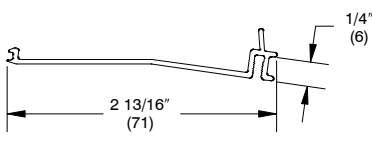
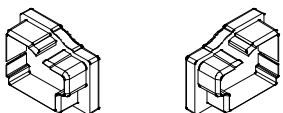
ILLUSTRATION <i>NOT TO SCALE</i>	DESCRIPTION	COLOR	PART NO.
	<p><b>Turn Button</b> <i>with #4 " x 3/4 " screw (11800334)</i></p>	metal	02580411
	<p><b>Energy Panel Surround, Aluminum Profile</b> A155 Stile and bottom rail For single strength glass – 3/32" (2) Available in 150" (3810) length</p>	SW BZ PB BN	15246299 15243399 15243299 15243199
	<p><b>Energy Panel Surround, Aluminum Profile</b> A157 Stile and bottom rail For double strength glass – 1/8" (3) Available in 150" (3810) length</p>	SW BZ PB BN	15246199 15244299 15244199 15244099
	<p><b>Energy Panel Surround, Aluminum Profile</b> A156 Top rail For single strength glass – 3/32" (2) Available in 150" (3810) length</p>	SW BZ PB BN	15246099 15243799 15243699 15243599
	<p><b>Energy Panel Surround, Aluminum Profile</b> A158 Top rail For double strength glass – 1/8" (3) Available in 150" (3810) length</p>	SW BZ PB BN	15246399 15244799 15244699 15244599

# END CAPS AND LINEAL CAPS

ILLUSTRATION <i>NOT TO SCALE</i>	DESCRIPTION	COLOR	PART NO.
	<p><b>Subsill End Cap for A1453</b> <i>Right Hand or Left Hand.</i> <i>Each part number contains one cap.</i></p>	<p>BZ SW EG PB BN</p>	<p><u>Right Hand</u> 18812306 18812310 18812308 18812304 18812302</p> <p><u>Left Hand</u> 18812307 18812311 18812309 18812305 18812303</p>
	<p><b>Subsill End Cap for A217</b> <i>Right Hand or Left Hand.</i> <i>Each part number contains one cap.</i></p>	<p>BZ SW EG PB BN</p>	<p><u>Right Hand</u> 18812106 18812110 18812108 18812104 18812102</p> <p><u>Left Hand</u> 18812107 18812111 18812109 18812105 18812103</p>
	<p><b>Subsill End Cap for A1452</b> <i>Right Hand or Left Hand.</i> <i>Each part number contains one cap.</i></p>	<p>BZ SW EG PB BN</p>	<p><u>Right Hand</u> 18812206 18812210 18812208 18812204 18812202</p> <p><u>Left Hand</u> 18812207 18812211 18812209 18812205 18812203</p>
	<p><b>Subsill End Cap for A1450</b> <i>Right Hand or Left Hand.</i> <i>Each part number contains one cap.</i></p>	<p>BZ SW EG PB BN</p>	<p><u>Right Hand</u> 18812406 18812410 18812408 18812404 18812402</p> <p><u>Left Hand</u> 18812407 18812411 18812409 18812405 18812403</p>
	<p><b>Clad Flat Casing End Cap</b> A247</p>	<p>SW BZ PB BN EG</p>	<p>18723099 18615403 18615303 18615203 18615503</p>

\* Please reference the Select Color Chapter (chapter 25) for select color part numbers. (Available online only).

# END CAPS AND LINEAL CAPS

ILLUSTRATION NOT TO SCALE	DESCRIPTION	COLOR	PART NO.
	<p><b>Casing End Cap for A1442</b> Right Hand or Left Hand. Each part number contains one cap.</p>	<p>RH BG LH BG</p>	<p>10500370 10500371</p>
	<p><b>Casing End Cap for A1440</b> Right Hand or Left Hand. Each part number contains one cap.</p>	<p>RH BG LH BG</p>	<p>10500372 10500373</p>
	<p><b>CBMC End Plug</b> For Doors</p>	<p>BG RH BG LH BZ RH BZ LH</p>	<p>16218005 16218006 16218007 16218008</p>
	<p><b>A1458 Subsill Lineal Cap</b> For A1453 200" (5080)</p>	<p>BZ SW EG PB BN</p>	<p>18815806 18815810 18815808 18815804 18815802</p>
	<p><b>A1462 Subsill Lineal Cap</b> For A217 200" (5080)</p>	<p>BZ SW EG PB BN</p>	<p>18816206 18816210 18816208 18816204 18816202</p>
	<p><b>A1460 Subsill Lineal Cap</b> For A1452 200" (5080)</p>	<p>BZ SW EG PB BN</p>	<p>18816006 18816010 18816008 18816004 18816002</p>
	<p><b>A1463 Subsill Lineal Cap</b> For A1450 200" (5080)</p>	<p>BZ SW EG PB BN</p>	<p>18816306 18816310 18816308 18816304 18816302</p>
	<p><b>End Plug for Radius BMC</b> For Doors</p>	<p>RH BG RH BZ LH BG LH BZ</p>	<p>10500273 10500275 10500274 10500276</p>

\* Please reference the Select Color Chapter (chapter 25) for select color part numbers. (Available online only).

When ordering obsolete replacement installation accessories specify:

1. part number;
2. description;
3. length (if applicable).

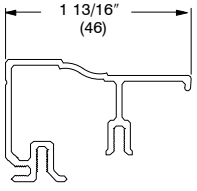
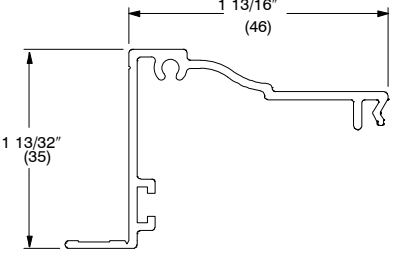
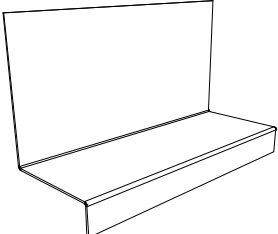
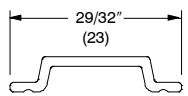

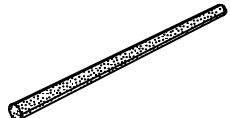
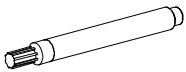
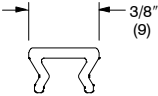
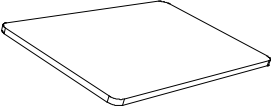


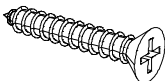

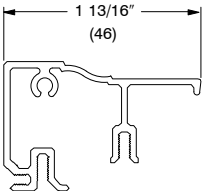
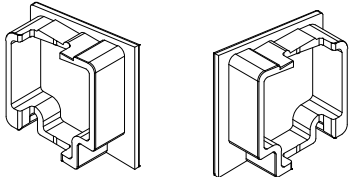
ILLUSTRATION NOT TO SCALE	DESCRIPTION	COLOR	PART NO.
	<p><b>Clad Brick Mould Casing – Head Jamb</b> A233</p> <p>NOTE: Must also use accessory kerf weather strip – frame.</p>		<p>NA</p> <p>Replace with A232</p>
	<p><b>Clad Brick Mould Casing</b> A128</p>		<p>NA</p>
	<p><b>Drip Cap (Aluminum Flashing)</b> A101</p>		<p>NA</p>
	<p><b>Mullion Cap</b> A322</p>		<p>NA</p> <p>Replace with A334</p>
	<p><b>Installation Bracket – 3\"</b> MISC 049</p>		<p>NA</p>
	<p><b>Accessory Kerf Weather Strip – Subsill</b> MISC 1245</p>		<p>NA</p>

ILLUSTRATION NOT TO SCALE	DESCRIPTION	COLOR	PART NO.
	<b>Clad Touch Up Paint – Pen</b> .3 oz.		NA
	<b>Mullion Cap</b> A105 For clad Round Top units only  NOTE: Must also use accessory kerf weather strip – frame.	BZ BN PB WH EG	NA replace with A104
	<b>End Cap – Clad Brick Mould Casing</b> MISC 1252 With adhesive tape. For door units	Mill Finish	NA
	<b>Nailing Fin – Head Jamb and Jamb – Clad Brick Mould Casing</b> V081  144" (3658)	BG	(16000597) NA
	<b>Nailing Fin – Sill and Subsill – Clad Brick Mould Casing</b> V084  144" (3658)	BG	16217299
ILLUSTRATION NOT TO SCALE	DESCRIPTION	COLOR	PART NO.
	<b>Screw – Head Jamb to Jamb – Clad Brick Mould Casing</b> #8x1 1/4" Phillips flathead screw	ZYD	11808116
	<b>Screw – Subsill to Jamb – Clad Brick Mould Casing</b> #8x1 1/4" Phillips panhead lead point screw	ZYD	11800825
	<b>Clad Brick Mould Casing</b> A232  192" (4877)  NOTE: Must also use accessory kerf weather strip – frame.	BZ WH BN PB EG	NA replace with A228 or A898
 Left Hand      Right Hand	<b>Simulated Thick Sill – End Plug</b>  NOTE: For use with A217 simulated thick sill.		NA