

# CHAPTER 24

## INTERIOR SHADES

### Table of Contents

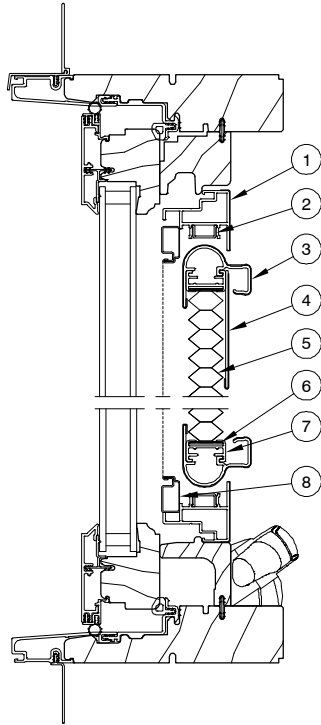
	<b>PAGE</b>
History .....	24.2
<b>Part Identification</b>	
Part Identification – Ultimate Casement .....	24.3
Part Identification – Direct Glaze Rectangular/Door Transom Direct Glaze .....	24.4
Part Identification – Swinging Door .....	24.5
Part Identification – Sliding French Door .....	24.6
Part Identification – Sliding Patio Door .....	24.7
<b>Parts</b>	
Hardware and Miscellaneous .....	24.8
Retro Fit Drill Jig Kits .....	24.11
Replacement Wood Wrap Parts .....	24.12
Surround Replacement .....	24.13
Integrated Interior Shade System Replacement .....	24.14

#### **ATTENTION:**

- Specification and technical data are subject to change without notice.
- Numbers listed in parentheses ( ) are metric equivalents in millimeters rounded to the nearest whole number.

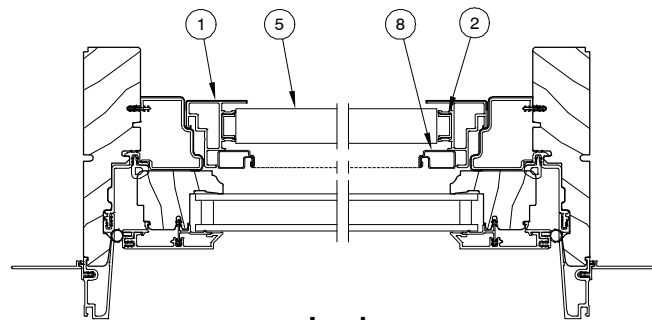
Produced	Unit Type	Features or Changes	Status
2013	Ultimate Casement/Awning, Ultimate Replacement Casement/Awning, Direct Glaze Rectangular, 1 3/4" and 2 1/4" Ultimate Inswing and Outswing French Door, Ultimate Sliding French Door and Sliding Patio Door.	December 16, 2013 – Interior Shade option introduced for unit types listed. Interior Shades are a cellular shade attached to the window or door by a surround or integrated into the product. Interior shades are available to be retro-fitted to the Ultimate Casement, Ultimate Replacement Casement, Ultimate Awning, Ultimate Replacement Awning, Direct Glaze Rectangular and Ultimate Inswing and Outswing French Doors. Shade cartridges are removable and replaceable.	Present

**Ultimate Casement, Ultimate Awning,  
Ultimate Replacement Casement, Ultimate Replacement Awning  
(shown in CUCA operator)**



**Head Jamb and Sill**

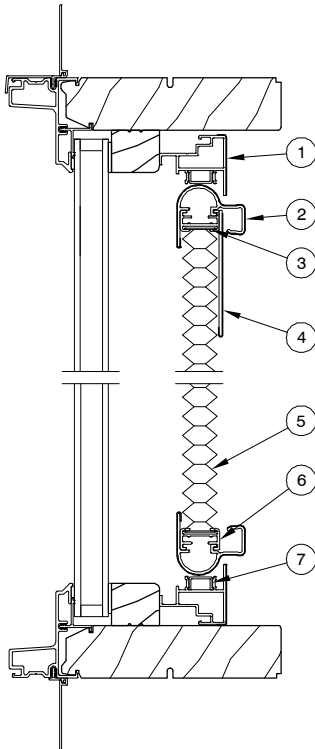
1. UCA Cellular Shade Surround (wood wrap)
2. Guide Track
3. Pull Bar (wood wrap)
4. Stack Cover, Short (wood wrap)
5. Shade Fabric
6. Filler Strip
7. Pull Bar to Fabric Adapter
8. Screen Frame



**Jamb**

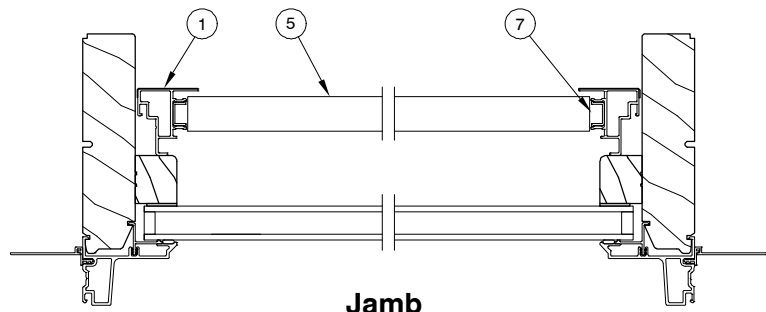
NOTE: Not to scale; specifications subject to change without notice.

**Direct Glaze Rectangular and Door Transom Direct Glaze  
(shown in CDGPOLY)**



**Head Jamb and Sill**

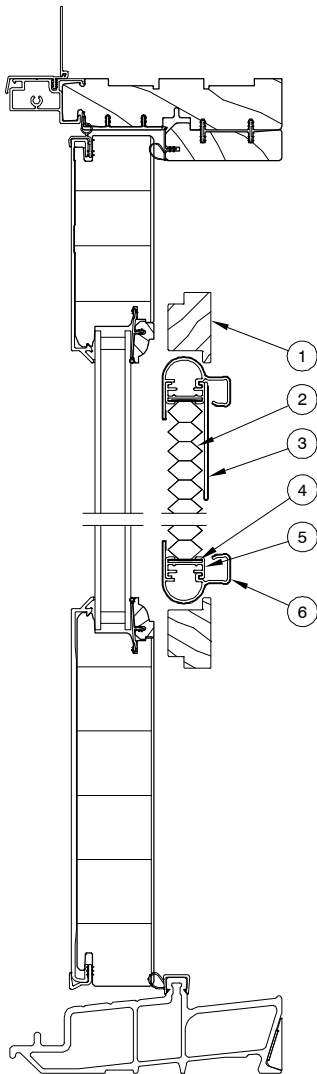
1. UCA Cellular Shade Surround (wood wrap)
2. Pull Bar, Cellular Shade (wood wrap)
3. Filler Strip
4. Stack Cover, Short (wood wrap)
5. Shade Fabric
6. Pull Bar to Fabric Adapter
7. Guide Track



**Jamb**

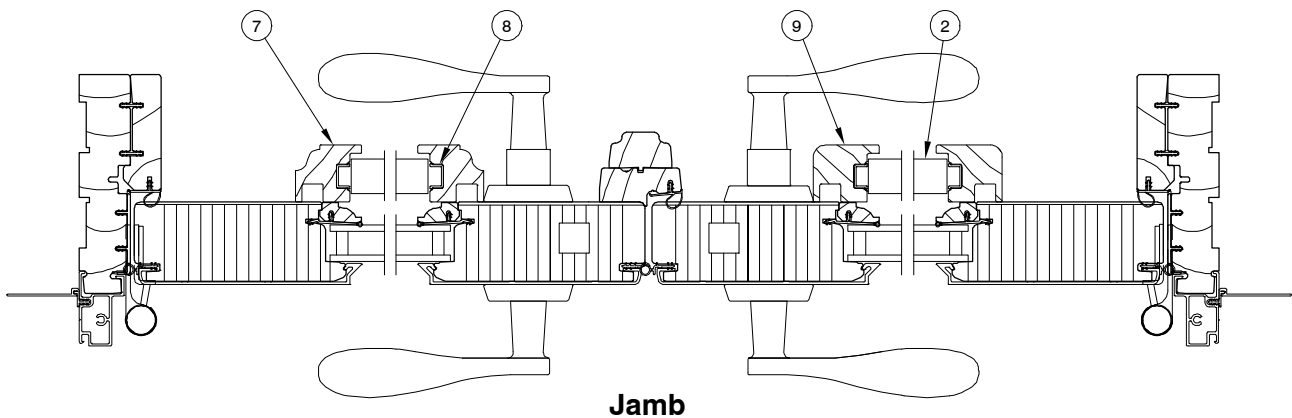
NOTE: Not to scale; specifications subject to change without notice.

**Ultimate Inswing French Door and Ultimate Outswing French Door  
 (shown in CUOFD)**



1. Rail, Lip Mould Surround
2. Shade Fabric
3. Stack Cover, Short (wood wrap)
4. Filler Strip
5. Pull Bar to Fabric Adapter
6. Pull Bar (wood wrap)
7. Stile, Cellular Shade Surround, Traditional Profile
8. Guide Track
9. Stile, Cellular Shade Surround, Contemporary Profile

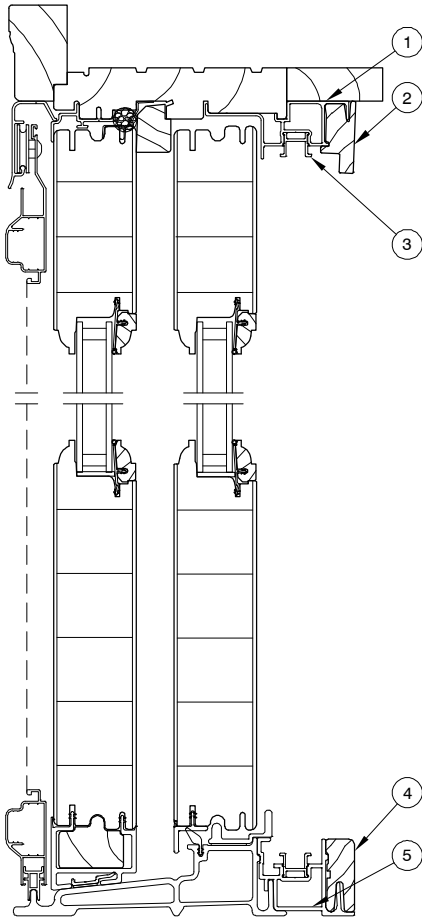
**Head Jamb and Sill  
 (Contemporary Profile)**



**Jamb**

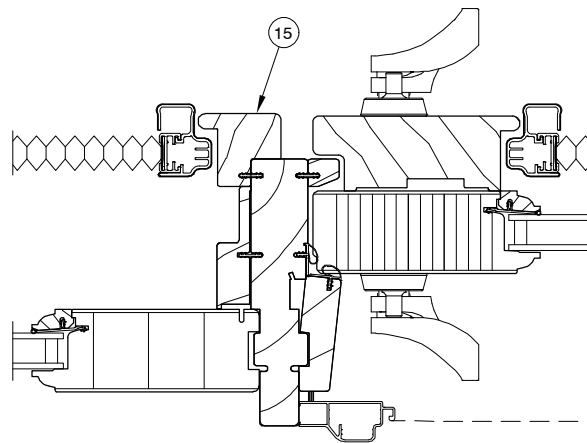
NOTE: Not to scale; specifications subject to change without notice.

**Integrated Shade System  
 USFD  
 (shown in WUSFD)**

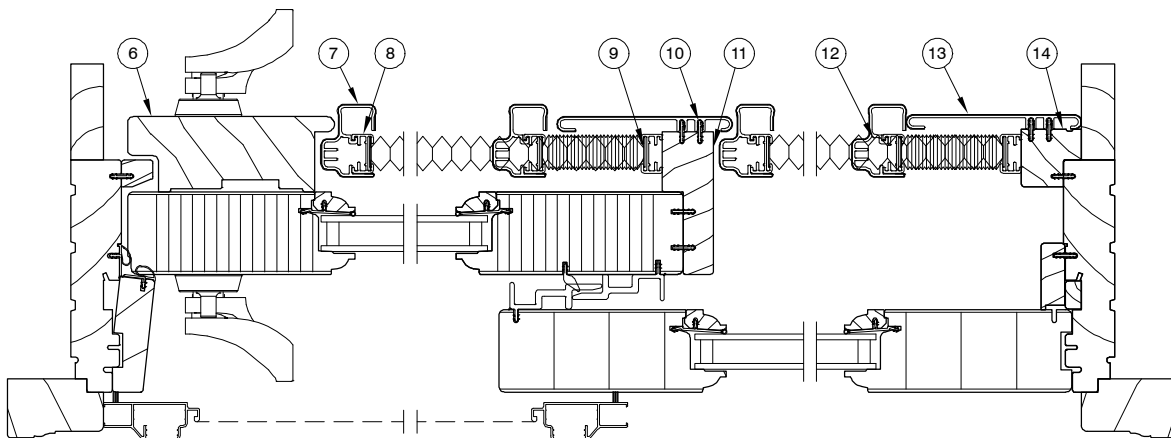


**Head Jamb and Sill**

1. Header Guide
2. Header Guide Cover
3. Guide Track
4. Sill Liner
5. Sill Extension
6. Locking Stile Extension
7. Pull Bar (wood wrap)
8. Pull Bar to Fabric Adapter
9. Filler Strip
10. Connecting Barb
11. Meeting Stile Extension
12. Shade Fabric
13. Pocket Cover, Wood Wrap
14. Stationary Jamb Extension
15. Center Jamb Extension



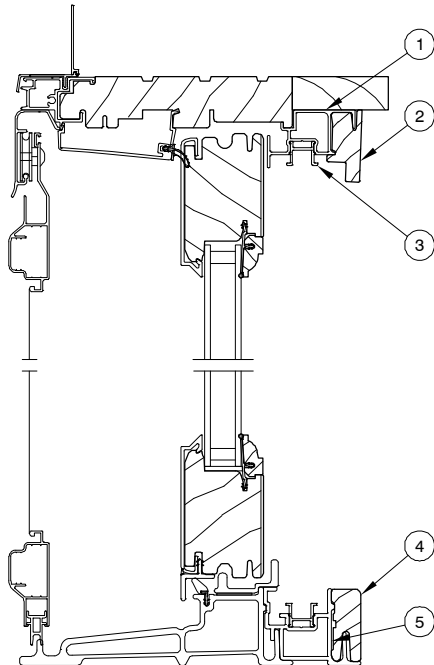
**Center Jamb - OXO**



**Jamb - XO**

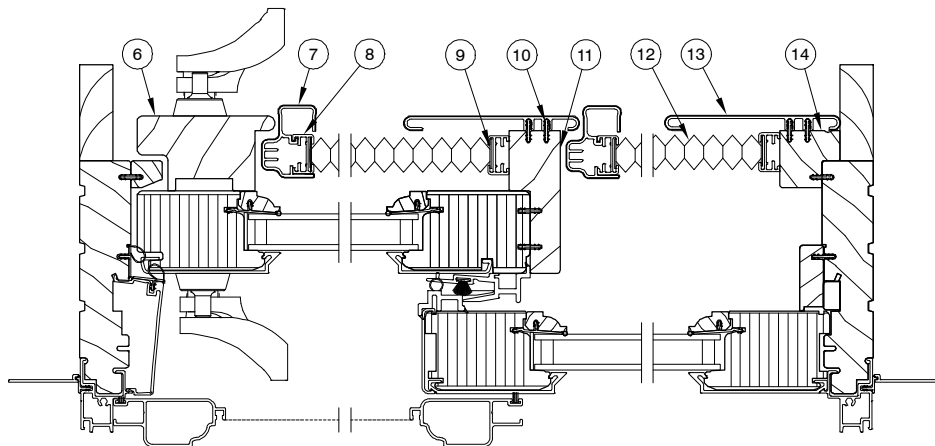
NOTE: Not to scale; specifications subject to change without notice.

**Integrated Shade System  
 SPD  
 (shown in CSPD)**



1. Header Guide
2. Header Guide Cover
3. Guide Track
4. Sill Liner
5. Sill Extension
6. Locking Stile Extension
7. Pull Bar (wood wrap)
8. Pull Bar to Fabric Adapter
9. Filler Strip
10. Connecting Barb
11. Meeting Stile Extension
12. Shade Fabric
13. Pocket Cover, Wood Wrap
14. Stationary Jamb Extension

**Head Jamb  
 and Sill**



**Jamb**

NOTE: Not to scale; specifications subject to change without notice.

**TO ORDER REPLACEMENT PARTS**

When ordering Interior Shade replacement parts specify:

1. type of unit;
2. part number;
3. description;
4. color.

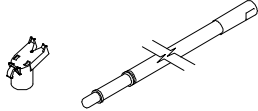

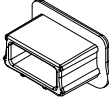
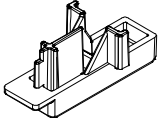
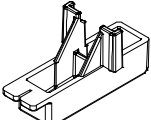


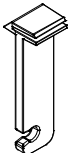
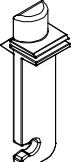

ILLUSTRATION <i>NOT TO SCALE</i>	DESCRIPTION	OPERATOR/ COLOR/LENGTH	PART NO.
	<b>Extension Pole with End Adapter</b> UCA, DG, Swinging Door	2 1/2–4 1/2 ft. ext. 5–10 ft. ext.	10501453 10501454
	<b>End Adapter, Extension Pole</b> UCA, DG, Swinging Door		10810489
	<b>Pull Bar End Cover</b> UCA, DG, Swinging Door	BG WH BZ	10501413 10501415 10501414
	<b>Pull Bar End Cap</b> UCA, DG, Swinging Door	BG WH BZ	10501410 10501412 10501411
	<b>Pull Bar End Cap</b> Sliding Door	BG BZ	10501451 10501452
	<b>Terminal Ring</b> UCA, DG, Swinging Door and Sliding Door NOTE: Used when replacing end caps.	BG	11860339
	<b>Magnetic Catch, Pull Bar</b> Sliding Door	BG	11860339
	<b>Shade Retention Plunger – Part A</b> UCA	BG WH BZ	10501440 10501441 10501442
	<b>Shade Retention Plunger – Part A</b> DG	BG WH BZ	10501437 10501438 10501439
	<b>Shade Retention Plunger – Part B</b> UCA and DG	BG WH BZ	10501443 10501444 10501445




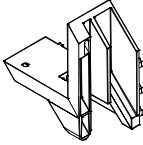
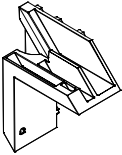



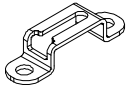

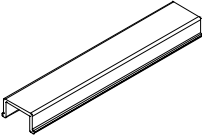
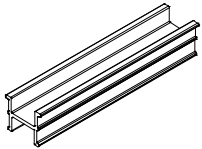
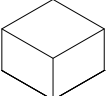
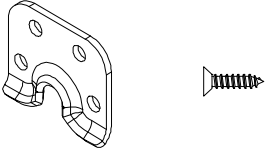
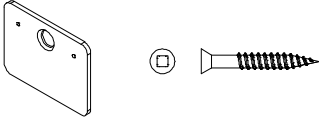
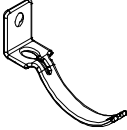
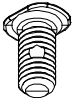
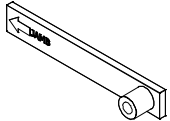
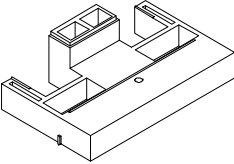
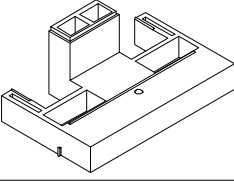
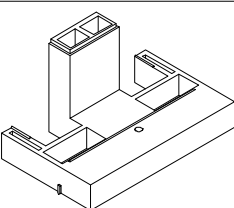
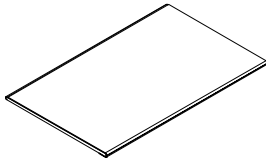
ILLUSTRATION NOT TO SCALE	DESCRIPTION	OPERATOR/ COLOR/LENGTH	PART NO.
	<b>Leaf Spring</b> UCA and DG		11868835
 RH Shown	<b>Corner Key, Lower</b> UCA and DG <i>includes:</i> 2 - #6-18 x 1/4" Phillips pan head screws (02056061)	LH RH	10501458 10501457
 LH Shown	<b>Corner Key, Upper</b> UCA and DG <i>includes:</i> 2 - #6-18 x 1/4" Phillips pan head screws (02056061)	LH RH	10501455 10501456
	<b>Spring, Shade Cartridge</b> 3/16" x 2 1/2"		10501435
	<b>Spring, Shade Cartridge</b> 1/4" x 2 1/2" NOTE: Used on shade surrounds with an OM width greater than 50 3/16".		10501436
	<b>Single Jack Chain</b>	3" (76) 5" (127)	10840121 10840122
	<b>Retainer Clip</b> Swinging Doors <i>includes:</i> 2 - #6 x 5/8" flat head screws (11800519)		10501433
	<b>Mounting Screw, Shade Surround</b> Swinging Doors		11806112
	<b>Guide Track, with adhesive tape</b> V2277 Swinging Doors UCA/DG (Stiles)	120" (3048) BG WH BK	15364199 15364299 15364399
	<b>Guide Track, without adhesive tape</b> V2277 UCA/DG (Rails)	66" (1676) BG WH BK	15364472 15364572 15364672
	<b>Guide Track</b> V2323 Sliding Doors	96" (2438) BG BK	15980096 15980196
	<b>Gasket, Header Guide</b> Sliding Doors		10150240

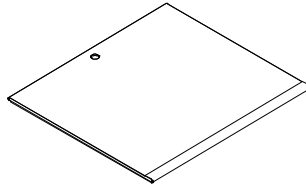
ILLUSTRATION NOT TO SCALE	DESCRIPTION	OPERATOR/ COLOR/LENGTH	PART NO.
	<b>Extension Bracket, Locking Stile</b> Sliding Doors		10501433
	<i>Uses (order separately):</i> 2 – #7 x 5/8" flat head screws		11800734
	<b>Magnet Strike Plate</b> Sliding Doors	Silver BZ	10815200 10815193
	<i>Uses (order separately):</i> 1 – #6 x 1" Trim head head screw	Silver BZ	11800533 11800534
	<b>Cord Tensioner</b> Sliding Doors <i>includes:</i> 1 – #6 x 1" Flat head head screw (Beige – 11800630, Bronze – 11800613)	Beige BZ	11860428 11860429
	<b>Quarter Turn Connector</b> Sliding Doors		11860334

**RETRO FIT DRILL JIG KITS**

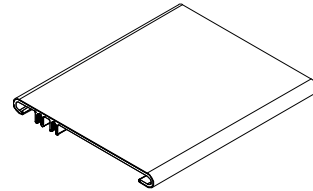
<b>ILLUSTRATION</b> <i>NOT TO SCALE</i>	<b>DESCRIPTION</b>	<b>OPERATOR/                  COLOR/LENGTH</b>	<b>PART NO.</b>
	<p><b>DG</b>  <i>Includes:</i>                      Direct Glaze Retro Fit Drill Jig                      Direct Glaze Retro Fit Instruction</p>		11856424
	<p><b>1 3/4" Swinging Door</b>  <i>Includes:</i>                      1 3/4" Swinging Door Shade Retro Fit Drill fixture                      Swinging Door Retro Fit Instruction</p>		11856425
	<p><b>2 1/4" Swinging Door                      or 1 3/4" Swinging Door IZ4</b>  <i>Includes:</i>                      2 1/4" and 1 3/4" IZ4 Swinging Door Retro Fit Drill fixture                      Swinging Door Retro Fit Instruction</p>		11856426
	<p><b>2 1/4" Swinging Door - IZ4</b>  <i>Includes:</i>                      2 1/4" IZ4 Swinging Door Retro Fit Drill fixture                      Swinging Door Retro Fit Instruction</p>		11856427



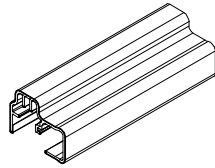
C0108 – Stack Cover,  
Short, Wood Wrap  
UCA, DG, Swinging Door



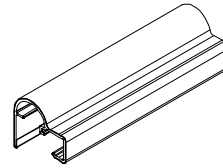
C0107 – Stack Cover,  
Tall, Wood Wrap  
UCA, DG, Swinging Door



C0109 – Pocket Cover  
Wood Wrap  
Sliding Door



C0110 – Pull Bar  
Wood Wrap  
Sliding Door



C0103 – Pull Bar  
Wood Wrap  
UCA, DG, Swinging Door

**TO ORDER:**

When ordering replacement wood wrap parts specify:

1. Original order number, if available;
2. profile number;
3. handing;
4. length;
5. finish.

When ordering replacement surrounds and screens, specify:

1. Original order number;
2. Unit type;
3. wood species;
4. finish;
5. fabric color
6. size; – If there is no existing surround from which to obtain the measurements of the surround or screen insert, determine the size by using measurement conversion chart below. The daylight opening is the measurement of the visible glass.

<b>UCA Shade Surround</b>	<b>Width</b>	<b>Height</b>
Frame OM to Surround OM	-4 5/16" (110)	-4 29/32" (125)
<b>UCA Shade Surround Screen Insert</b>	<b>Width</b>	<b>Height</b>
Frame OM to Screen Insert OM	-5 5/8" (143)	-6 7/32" (158)

<b>DG Rectangle Shade Surround – Interior Mount 5/4</b>	<b>Width</b>	<b>Height</b>
Frame OM to Surround OM	-2 9/32" (56)	-2 9/32" (56)
<b>DG Rectangle Shade Surround – Interior Mount 4/4</b>	<b>Width</b>	<b>Height</b>
Frame OM to Surround OM	-1 15/32" (37)	-1 15/32" (37)

<b>Swinging Door, Side Lite and Transom Shade Surround</b>	<b>Width</b>	<b>Height</b>
Daylight Opening to Shade Surround	+2 3/4" (70)	+2 15/16" (75)

## ORDERING REPLACEMENT INTEGRATED INTERIOR SHADE SYSTEM FOR SLIDING DOORS

To order replacement Integrated Interior Shade System specify:

1. Original order number;
2. Call number;
3. OM of panel;
4. daylight opening;
5. handing;
6. wood species;
7. finish
8. fabric color

